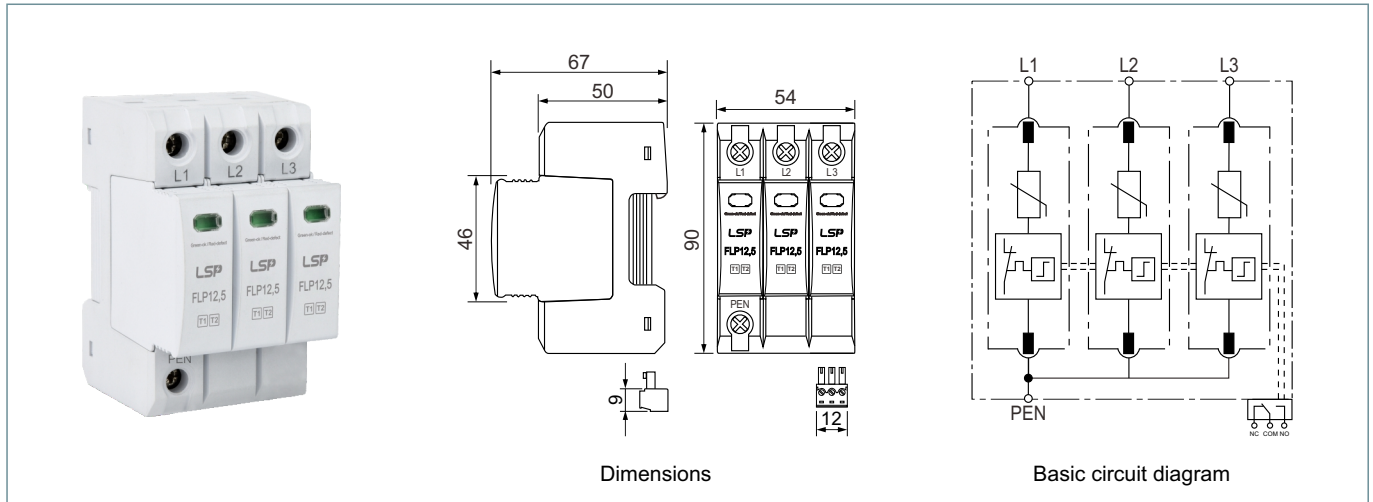


**FLP12,5-440/3**  
**FLP12,5-440/3S**

Modular surge arrester for use in TN-C systems; with floating changeover contact.

- Prewired complete unit consisting of a base part and plug-in protection modules
- High discharge capacity due to heavy duty zinc oxide varistors / spark gaps
- High reliability due to "Thermo Dynamic Control" SPD monitoring device



Type		FLP12,5-440/3	FLP12,5-440/3S
SPD according to EN61643-11 / IEC 61643-11		type 1 + type 2 / class I + class II	type 1 + type 2 / class I + class II
Nominal a.c. voltage	$U_n$	400 V AC (50/60 Hz)	400 V AC (50/60 Hz)
Max. continuous operating a.c. voltage	$U_c$	440 V AC (50/60 Hz)	440 V AC (50/60 Hz)
Nominal discharge current (8/20 $\mu$ s)	$I_n$	20 kA	20 kA
Maximum discharge current (8/20 $\mu$ s)	$I_{max}$	50 kA	50 kA
Lightning impulse current (10/350 $\mu$ s)	$I_{imp}$	12,5 kA	12,5 kA
Voltage protection level	$U_p$	2,4 kV	2,4 kV
Response time	$t_a$	25 ns	25 ns
Max. mains-side over-current protection		160 AgL/gG	160 AgL/gG
Short-circuit current rating	$I_{scCR}$	25 kA <sub>rms</sub>	25 kA <sub>rms</sub>
Temporary overvoltage (TOV) ( $U_T$ ) - Characteristic		580 V / 5 sec. - withstand	580 V / 5 sec. - withstand
Temporary overvoltage (TOV) ( $U_T$ ) - Characteristic		765 V / 120 min. - safe failure	765 V / 120 min. - safe failure
Range of operating temperatures	$T_u$	-40/+80°C	-40/+80°C
Operating state / fault indication		green / red	green / red
Number of ports		1	1
Cross-sectional area (min.)		1.5 mm <sup>2</sup> solid /flexible	1.5 mm <sup>2</sup> solid /flexible
Cross-sectional area (max.)		35 mm <sup>2</sup> stranded / 25 mm <sup>2</sup> flexible	35 mm <sup>2</sup> stranded / 25 mm <sup>2</sup> flexible
For mounting on		35 mm DIN rail acc. to EN 60715	35 mm DIN rail acc. to EN 60715
Enclosure material		thermoplastic	thermoplastic
Place of installation		indoor installation	indoor installation
Degree of protection		IP 20	IP 20
Capacity		3 module(s), DIN 43880	3 module(s), DIN 43880
Approvals		CE	CE
Type of remote signalling contact		-	changeover contact
a.c. switching capacity		-	250V / 0.5A
d.c. switching capacity		-	250V / 0.1A; 125V / 0.2A; 75V / 0.5A
Cross-sectional area for remote signalling terminals		-	max. 1.5 mm <sup>2</sup> solid / flexible