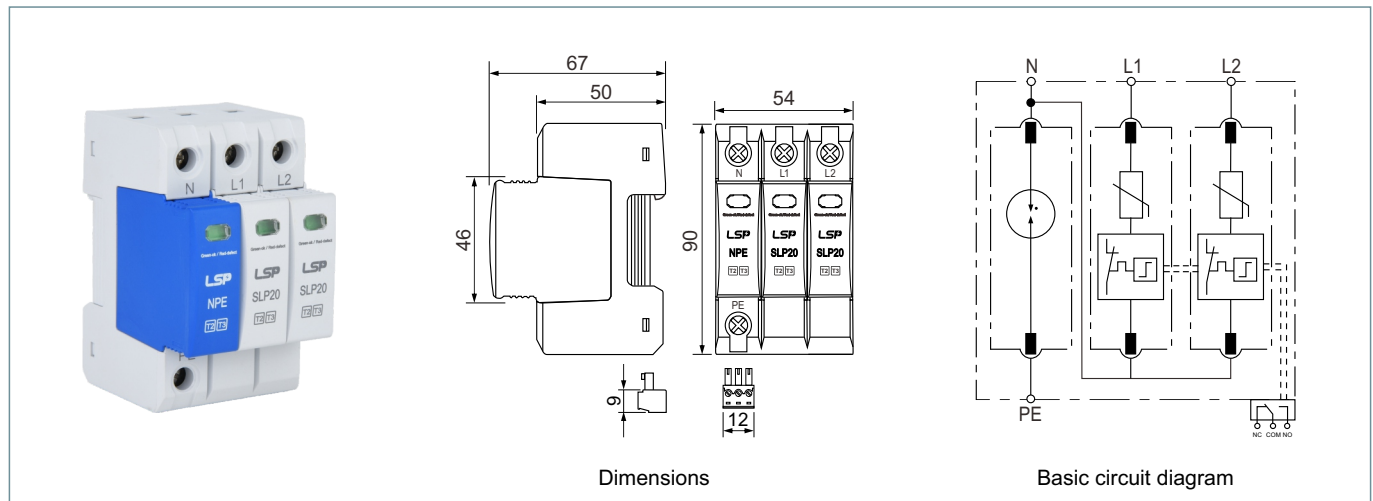


SLP20-275/2+1
SLP20-275/2S+1

Modular surge arrester for use in TT and TN systems ("2+1" circuit) with floating remote signalling contact.

- Prewired complete unit consisting of a base part and plug-in protection modules
- High discharge capacity due to heavy duty zinc oxide varistors / spark gaps
- High reliability due to "Thermo Dynamic Control" SPD monitoring device



Type	SLP20-275/2+1	SLP20-275/2S+1
SPD according to EN 61643-11 / IEC 61643-11	type 2 + type 3 / class II + class III	type 2 + type 3 / class II + class III
Nominal a.c. voltage	U_n 230 / 400 V AC (50/60 Hz)	230 / 400 V AC (50/60 Hz)
Max. continuous operating a.c. voltage [L-N]	U_c 275 V AC (50/60 Hz)	275V AC (50/60 Hz)
Max. continuous operating a.c. voltage [N-PE]	U_c 255 V AC (50/60 Hz)	255 V AC (50/60 Hz)
Nominal discharge current (8/20 μ s)	I_n 10 kA	10 kA
Maximum discharge current (8/20 μ s)	I_{max} 20 kA	20 kA
Combination wave (1.2/50 μ s)	U_{oc} 10 kV	10 kV
Leakage current	I_{PE} < 1 mA	< 1 mA
Nominal load current a.c	I_L 20 A	20 A
Voltage protection level [L-N]	U_P 1,2 kV	1,2 kV
Voltage protection level [N-PE]	U_P 1,0 kV	1,0 kV
Response time [L-N]	t_A 25 ns	25 ns
Response time [N-PE]	t_A 100 ns	100 ns
Max. mains-side over-current protection	125 A gL/gG	125 A gL/gG
Short-circuit current rating	I_{SCCR} 10 kA _{rms}	10 kA _{rms}
Temporary overvoltage (TOV) [L-N] (U_T) - Characteristic	335 V / 5 sec. - withstand	335 V / 5 sec. - withstand
Temporary overvoltage (TOV) [L-N] (U_T) - Characteristic	440 V / 120 min. - safe failure	440 V / 120 min. - safe failure
Temporary overvoltage (TOV) [L/N-PE] (U_T) - Characteristic	335 V / 120 min. - withstand	335 V / 120 min. - withstand
Temporary overvoltage (TOV) [L/N-PE] (U_T) - Characteristic	440 V / 5 sec. - withstand	440 V / 5 sec. - withstand
Temporary overvoltage (TOV) [N-PE] (U_T) - Characteristic	1200 V / 200 ms - safe failure	1200 V / 200 ms - safe failure
Range of operating temperatures (T_U)	-40/+80°C	-40/+80°C
Operating state / fault indication	green / red	green / red
Number of ports	1	1
Cross-sectional area (min.)	1.5 mm ² solid /flexible	1.5 mm ² solid /flexible
Cross-sectional area (max.)	35 mm ² stranded / 25 mm ² flexible	35 mm ² stranded / 25 mm ² flexible
For mounting on	35 mm DIN rail acc. to EN 60715	35 mm DIN rail acc. to EN 60715
Enclosure material	thermoplastic	thermoplastic
Place of installation	indoor installation	indoor installation
Degree of protection	IP 20	IP 20
Capacity	3 module(s), DIN 43880	3 module(s), DIN 43880
Approvals	CE	CE
Type of remote signalling contact	-	changeover contact
a.c. switching capacity	-	250V / 0.5 A
d.c. switching capacity	-	250V / 0.1 A; 125 V / 0.2 A; 75 V / 0.5 A
Cross-sectional area for remote signalling terminals	-	max. 1.5 mm ² solid / flexible