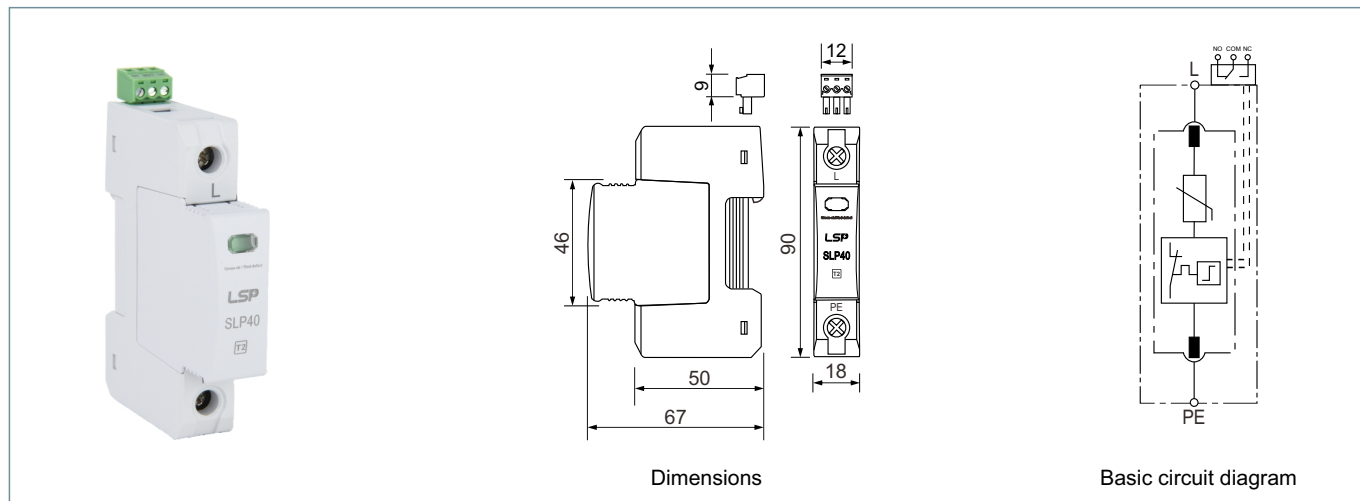


SLP40-1000/1
SLP40-1000/1S

Pluggable single-pole surge arrester consisting of a base part and plug-in protection module; with floating changeover contact.

- Multi-purpose surge arrester consisting of a base element and plug-in protection on module
- High discharge capacity due to heavy duty zinc oxide varistor
- High reliability due to "Thermo Dynamic Control" SPD monitoring device



Type		SLP40-1000/1	SLP40-1000/1S
SPD according to EN 61643-11 / IEC 61643-11		type 2 / class II	type 2 / class II
Nominal a.c. voltage	U_n	900 V AC (50/60 Hz)	900 V AC (50/60 Hz)
Max. continuous operating a.c. voltage	U_c	1000 V AC (50/60 Hz)	1000 V AC (50/60 Hz)
Nominal discharge current (8/20 μ s)	I_n	20 kA	20 kA
Maximum discharge current (8/20 μ s)	I_{max}	40 kA	40 kA
Voltage protection level	U_p	4,2 kV	4,2 kV
Response time	t_a	25 ns	25 ns
Max. mains-side over-current protection		100 AgL/gG	100 AgL/gG
Short-circuit current rating	I_{sccR}	25 kA _{rms}	25 kA _{rms}
Temporary overvoltage (TOV) (U_T) - Characteristic		1205 V / 5 sec. - withstand	1205 V / 5 sec. - withstand
Temporary overvoltage (TOV) (U_T) - Characteristic		1580 V / 120 min. - safe failure	1580 V / 120 min. - safe failure
Range of operating temperatures	T_U	-40/+80°C	-40/+80°C
Operating state / fault indication		green / red	green / red
Number of ports		1	1
Cross-sectional area (min.)		1.5 mm ² solid /flexible	1.5 mm ² solid /flexible
Cross-sectional area (max.)		35 mm ² stranded / 25 mm ² flexible	35 mm ² stranded / 25 mm ² flexible
For mounting on		35 mm DIN rail acc. to EN 60715	35 mm DIN rail acc. to EN 60715
Enclosure material		thermoplastic	thermoplastic
Place of installation		indoor installation	indoor installation
Degree of protection		IP 20	IP 20
Capacity		1 module(s), DIN 43880	1 module(s), DIN 43880
Approvals		CE	CE
Type of remote signalling contact		-	changeover contact
a.c. switching capacity		-	250V / 0.5A
d.c. switching capacity		-	250V / 0.1A; 125V / 0.2A; 75V / 0.5A
Cross-sectional area for remote signalling terminals		-	max. 1.5 mm ² solid / flexible