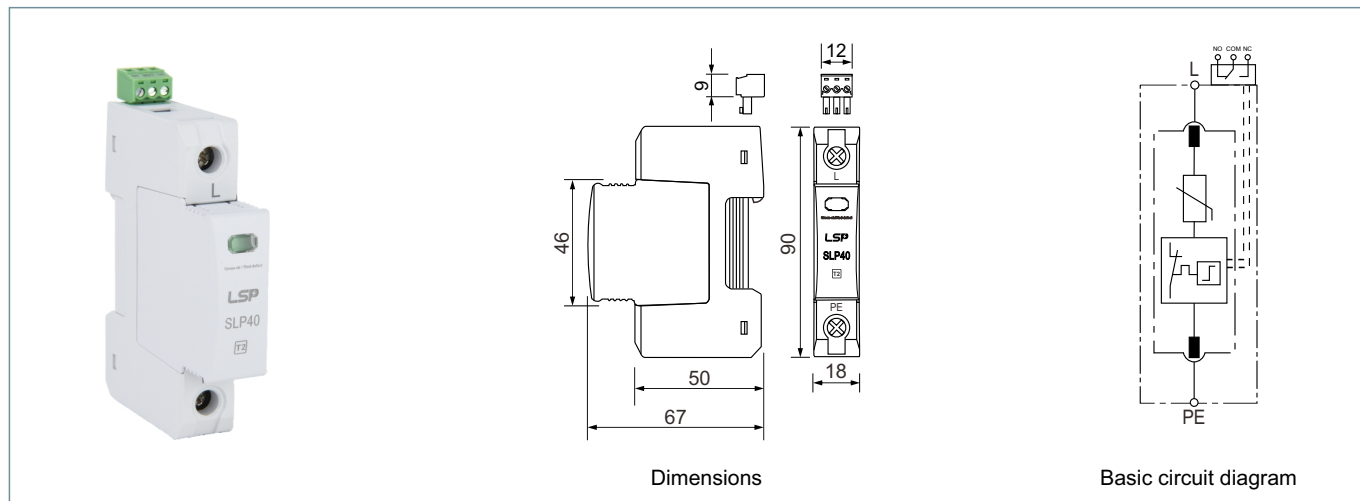


**SLP40-750/1**  
**SLP40-750/1S**

Pluggable single-pole surge arrester consisting of a base part and plug-in protection module; with floating changeover contact.

- Multi-purpose surge arrester consisting of a base element and plug-in protection on module
- High discharge capacity due to heavy duty zinc oxide varistor
- High reliability due to "Thermo Dynamic Control" SPD monitoring device



Type		SLP40-750/1	SLP40-750/1S
SPD according to EN 61643-11 / IEC 61643-11		type 2 / class II	type 2 / class II
Nominal a.c. voltage	$U_n$	690 V AC (50/60 Hz)	690 V AC (50/60 Hz)
Max. continuous operating a.c. voltage	$U_c$	750 V AC (50/60 Hz)	750 V AC (50/60 Hz)
Nominal discharge current (8/20 $\mu$ s)	$I_n$	20 kA	20 kA
Maximum discharge current (8/20 $\mu$ s)	$I_{max}$	40 kA	40 kA
Voltage protection level	$U_p$	2,6 kV	2,6 kV
Response time	$t_a$	25 ns	25 ns
Max. mains-side over-current protection		100 A gL/gG	100 A gL/gG
Short-circuit current rating	$I_{scCR}$	25 kA <sub>rms</sub>	25 kA <sub>rms</sub>
Temporary overvoltage (TOV) ( $U_T$ ) - Characteristic		871 V / 5 sec. - withstand	871 V / 5 sec. - withstand
Temporary overvoltage (TOV) ( $U_T$ ) - Characteristic		1143 V / 120 min. - safe failure	1143 V / 120 min. - safe failure
Range of operating temperatures	$T_U$	-40/+80°C	-40/+80°C
Operating state / fault indication		green / red	green / red
Number of ports		1	1
Cross-sectional area (min.)		1.5 mm <sup>2</sup> solid /flexible	1.5 mm <sup>2</sup> solid /flexible
Cross-sectional area (max.)		35 mm <sup>2</sup> stranded / 25 mm <sup>2</sup> flexible	35 mm <sup>2</sup> stranded / 25 mm <sup>2</sup> flexible
For mounting on		35 mm DIN rail acc. to EN 60715	35 mm DIN rail acc. to EN 60715
Enclosure material		thermoplastic	thermoplastic
Place of installation		indoor installation	indoor installation
Degree of protection		IP 20	IP 20
Capacity		1 module(s), DIN 43880	1 module(s), DIN 43880
Approvals		CE	CE
Type of remote signalling contact		-	changeover contact
a.c. switching capacity		-	250V / 0.5A
d.c. switching capacity		-	250V / 0.1 A; 125 V / 0.2A; 75 V / 0.5A
Cross-sectional area for remote signalling terminals		-	max. 1.5 mm <sup>2</sup> solid / flexible