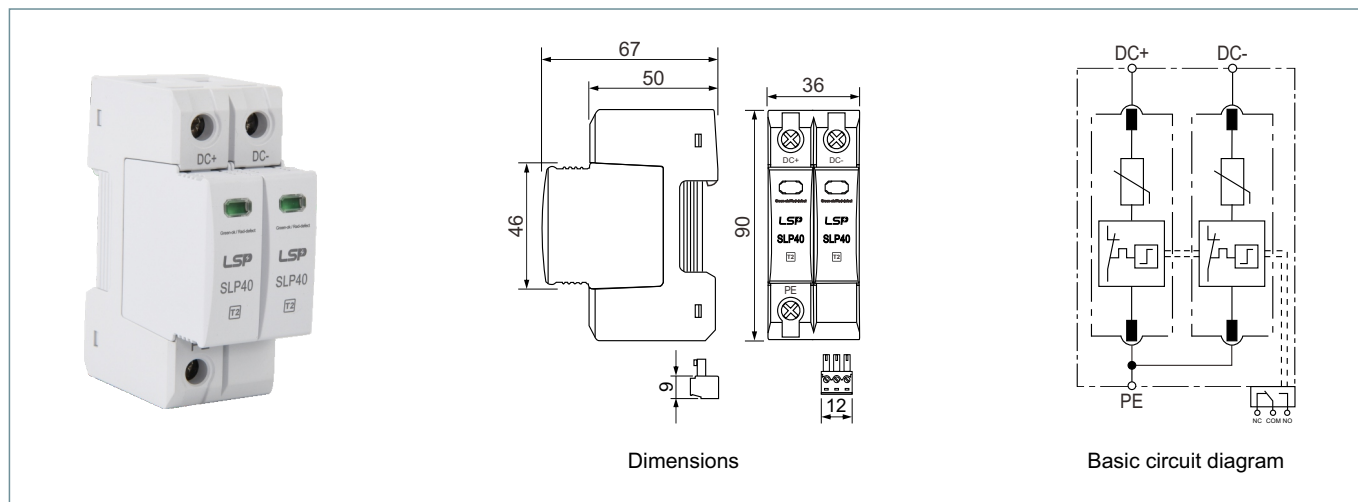


**SLP40-PV600/2**  
**SLP40-PV600/2S**

Pluggable modular multi-pole PV SPD type 2 lightning current surge arrester for use in photovoltaic systems

- With remote signaling contact for monitoring device (floating changeover contact) (S)
- For installation in the DC circuits of solar photovoltaic systems, string box, inverter
- Mode of Protection: (DC+) - PE, (DC-) - PE, (DC+) - (DC-)
- EU Category: Type 2
- Protective Elements: High Energy MOV



Type		SLP40-PV600/2	SLP40-PV600/2S
SPD according to EN 50539-11:2013		type 2	type 2
Maximum operating voltage	$U_{CPV}$	$\leq 600$ V	$\leq 600$ V
Short-circuit current rating	$I_{SCPV}$	200 A	200 A
Nominal discharge current (8/20 $\mu$ s)	$I_n$	20 kA	20 kA
Maximum discharge current (8/20 $\mu$ s)	$I_{max}$	40 kA	40 kA
Voltage protection level	$U_p$	2,2 kV	2,2 kV
Response time	$t_a$	25 ns	25 ns
Range of operating temperatures	$T_u$	-40/+80°C	-40/+80°C
Operating state / fault indication		green / red	green / red
Number of ports		1	1
Cross-sectional area (min.)		1.5 mm <sup>2</sup> solid /flexible	1.5 mm <sup>2</sup> solid /flexible
Cross-sectional area (max.)		35 mm <sup>2</sup> stranded / 25 mm <sup>2</sup> flexible	35 mm <sup>2</sup> stranded / 25 mm <sup>2</sup> flexible
For mounting on		35 mm DIN rail acc. to EN 60715	35 mm DIN rail acc. to EN 60715
Enclosure material		thermoplastic	thermoplastic
Place of installation		indoor installation	indoor installation
Degree of protection		IP 20	IP 20
Capacity		2 module(s), DIN 43880	2 module(s), DIN 43880
Approvals		CE	CE
Type of remote signalling contact		-	changeover contact
a.c. switching capacity		-	250V / 0.5A
d.c. switching capacity		-	250V / 0.1A; 125 V / 0.2A; 75 V / 0.5A
Cross-sectional area for remote signalling terminals		-	max. 1.5 mm <sup>2</sup> solid / flexible