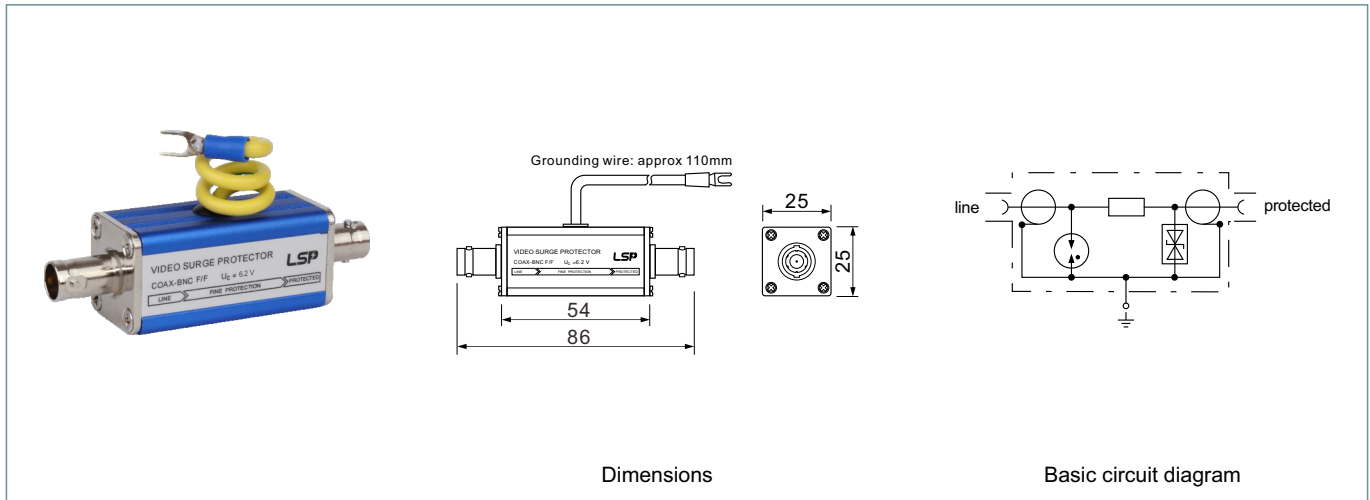


COAX-BNC F/F

Surge arrester with BNC for protecting Closed Circuit Television (CCTV), video, camera and surveillance systems to avoid being influenced by leakage pickups.

- Easily adaptable due to BNC sockets
- For installation in conformity with the lightning protection zone concept at the boundaries from $0_b - 2$ and higher
- Application: CCTV, video, camera and surveillance systems



Type	COAX-BNC F/F	
SPD according to EN61643-11 / IEC 61643-11		type 2 / class 2
Nominal a.c. voltage	U_n	5 V
Max. continuous operating a.c. voltage	U_c	6.2 V
Rated current	I_L	0.1 A
D1 Lightning impulse current (10/350 μ s)	I_{imp}	1 kA
C2 Nominal discharge current (8/20 μ s) shield-PG	I_n	10 kA
C2 Nominal discharge current (8/20 μ s) line-shield	I_n	5 kA
Voltage protection level line-shield for I_n C2	U_p	< 35 V
Voltage protection level line-PG for I_n C2	U_p	–
Voltage protection level line-shield at 1 kV/ μ s C3	U_p	< 13 V
Voltage protection level line-PG at 1 kV/ μ s C3	U_p	–
Frequency range		0 - 300 Mhz
Insertion loss at 160 Mhz		< 0.4 dB
Insertion loss at 300 Mhz		< 3 dB
Return loss at 130 Mhz		> 20 dB
Return loss at 300 Mhz		> 8 dB
Characteristic impedance	Z	50 ohms / 75 ohms
Series resistance per line		4.7 ohms
Capacitance line-shield	C	< 25 pF
Capacitance line-PG	C	–
Range of operating temperatures	T_u	-40/+80°C
Degree of protection		IP 10
For mounting on		no
Lightning protection zone LPZ		$0_b - 2$
Connection (input / output)		BNC female / BNC female
Earthing via		outgoing earth conductor (0.75 mm ²)
Enclosure material		Aluminum housing
Color		Blue, green, silvery grey