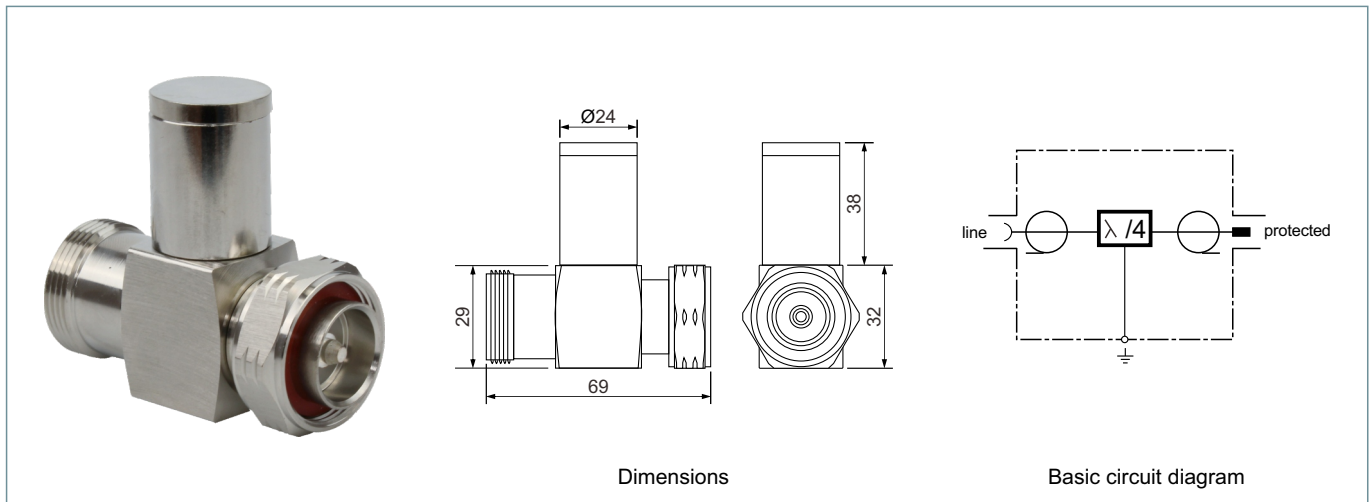


**DS-L4-7/16 F/M**

Combined lightning current and surge arrester with maintenance-free quarterwave technology for multi-frequency applications (multi-carrier systems). The arrester is also capable of discharging high partial lightning currents. No remote supply as the arrester represents an electrical short-circuit for low-frequency signals. Broadband device for all 4+3G services.

- Maintenance-free combined lightning current and surge arrester for multi-frequency applications
- Maximum transmission and PIM performance
- For installation in conformity with the lightning protection zone concept at the boundaries from  $0_A - 2$  and higher



Type	DS-L4-7/16 F/M	
SPD according to EN 61643-21 / IEC 61643-21	type 1 / class I	
Nominal a.c. voltage	$U_n$	0 V
Max. continuous operating d.c. voltage $U_c$	$U_c$	0 V
Rated current	$I_L$	0 A
Max. transmission capacity		1500 W
D1 Lightning impulse current (10/350 $\mu$ s)	$I_{imp}$	40 kA
C2 Nominal discharge current (8/20 $\mu$ s)	$I_n$	80 kA
Voltage protection level for In C2	$U_p$	<300 V
Frequency range		800 Mhz - 2.5 Ghz
Insertion loss		< 0.1 dB
Return loss		> 28 dB
Characteristic impedance	$Z$	50 ohms
Intermodulation		Type. -160 dBc @ 2x43 dBm
Range of operating temperatures	$T_u$	-40/+80°C
Degree of protection		IP 67
Connection		7/16 socket / 7/16 socke
Earthing via		Bushing ( $\varnothing$ 29.5 mm) or M8 earthing screw
Enclosure material		Brass, refined surface with trimetal plating
Colour		Bare surface
Weight		0.3 kg