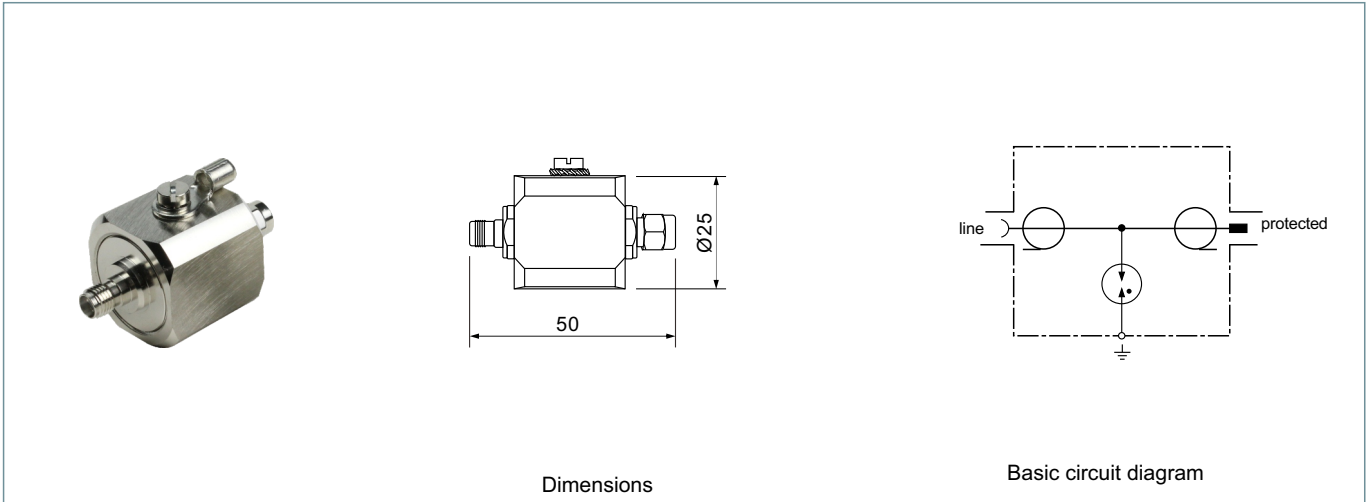


DS-SMA F/M

Data cable protection devices for transmission and reception technology with exchangeable gas discharge tube. Long endurance due to minimum contact erosion resulting from the large-area contact surface of the gas discharge tube

- Large-area contact surface of gas discharge tubes
- Longevity due to minimum contact erosion at the inner conductor
- For installation in conformity with the lightning protection zone concept at the boundaries from $0_A - 1$ and higher
- Available in 50 Ω and 75 Ω technology
- Application: BOS radio, SAT and TV systems, mobile radio



Dimensions

Basic circuit diagram

Type	DS-SMA F/M	
SPD according to EN 61643-21 / IEC 61643-21	type 1 / class I	
Nominal a.c. voltage	U_n	130 V
Max. continuous operating a.c. voltage	U_c	180 V
Rated current	I_L	10 A
D1 Lightning impulse current (10/350 μ s)	I_{imp}	5 kA
C2 Nominal discharge current (8/20 μ s)	I_n	10 kA
Maximum discharge current (8/20 μ s)	I_{max}	20 kA
Voltage protection level	U_p	< 850 V
Frequency range		0 - 3.7 Ghz
Insertion loss		< 0.1 dB
Return loss		> 19 dB
Characteristic impedance	Z	50 ohms / 75 ohms
Range of operating temperatures	T_U	-40/+80°C
Degree of protection		IP 20
Lightning protection zone LPZ		$0_A - 1$
Connection		SMA female / SMA male
Earthing via		Bushing (Ø16.1 mm)
Enclosure material		Brass, refined surface with trimetal plating
Colour		Bare surface
Exchangeable gas discharge tube		yes

**Accessory for DS-SWA F/M
Gas Discharge Tube**



Lightning current carrying replacement gas discharge tube for DS series arresters. High quality with extremely low capacitance.

Type	GDT-230-G2 / 2RM230-8	
Lightning impulse current (10/350 μ s)	I_{imp}	5 kA
Design		8.0mm × 6.0mm