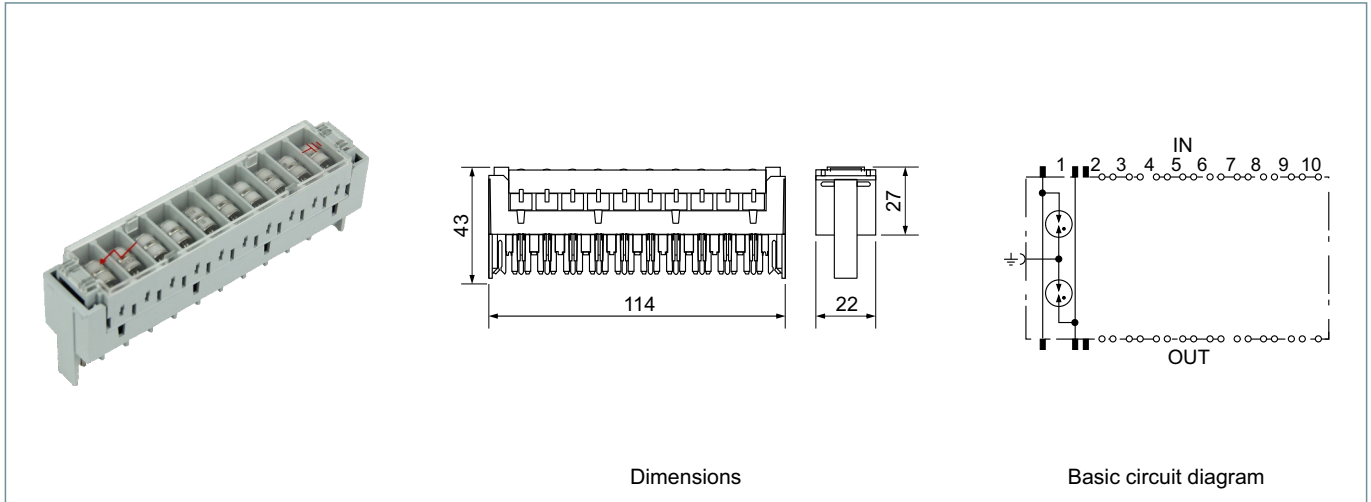


LSA-A-LEI

SPD block for ten pairs with three-pole gas discharge tubes for telecommunications distribution systems, the LSA surge voltage components offer rapid, adequate protection. The LSA system offers both basic protection modules and fine protection modules to protect up to ten three-core wires per connection strip. Thus it can be immediately identified whether an arrester has to be replaced.

- SPD block for ten pairs with three-pole gas discharge tubes
- Bandwidth-optimised for secure transmission
- For installation in conformity with the lightning protection zone concept at the boundaries from 0_B-1 and higher



Type	LSA-A-LEI	
SPD according to EN 61643-21 / IEC 61643-21	type 2 / class II	
Nominal a.c. voltage U_n		110 V
Max. continuous operating a.c. voltage U_c		180 V
Max. continuous operating d.c. voltage U_c		127 V
Nominal current I_L		0.4 A
Nominal discharge current (8/20 μ s) I_n		5 kA
Maximum discharge current (8/20 μ s) I_{max}		10 kA
Overstressed fault mode	10 kA (8/20 μ s): open line EN 61643-21: mode 3	
Impulse reset	no backup fuse under nominal conditions	
Voltage protection level line-PG for limp 10/350 μ s D1 U_p		≤ 600 V
Voltage protection level line-line for In C2 U_p		≤ 600 V
Voltage protection level line-PG for In C2 U_p		≤ 600 V
Voltage protection level line-line for 1 kV/ μ s C3 U_p		≤ 600 V
Voltage protection level line-line for 1 kV/ μ s U_p		≤ 600 V
Capacitance line-line C		≤ 5 pF
Capacitance line-PG C		≤ 5 pF
Range of operating temperatures T_u		-40/+80°C
Fail-safe function	-	
Pluggable into	LSA disconnection and terminal blocks (type 2)	
Earthing via	mounting frame	
Enclosure material	polyamideg	
Color	rey	

**Accessory for LSA-A-LEI
Gas Discharge Tube**



High-capacity replacement gas discharge tubes for LSA-A-LEI. Three-pole unit for a constant voltage protection level line-line and line-ground.

Type	GDT-230-G3 / 3RM230L-8	
Nominal discharge current (8/20 μ s) I_n		5 kA
Design	8.0mm×10.0mm	