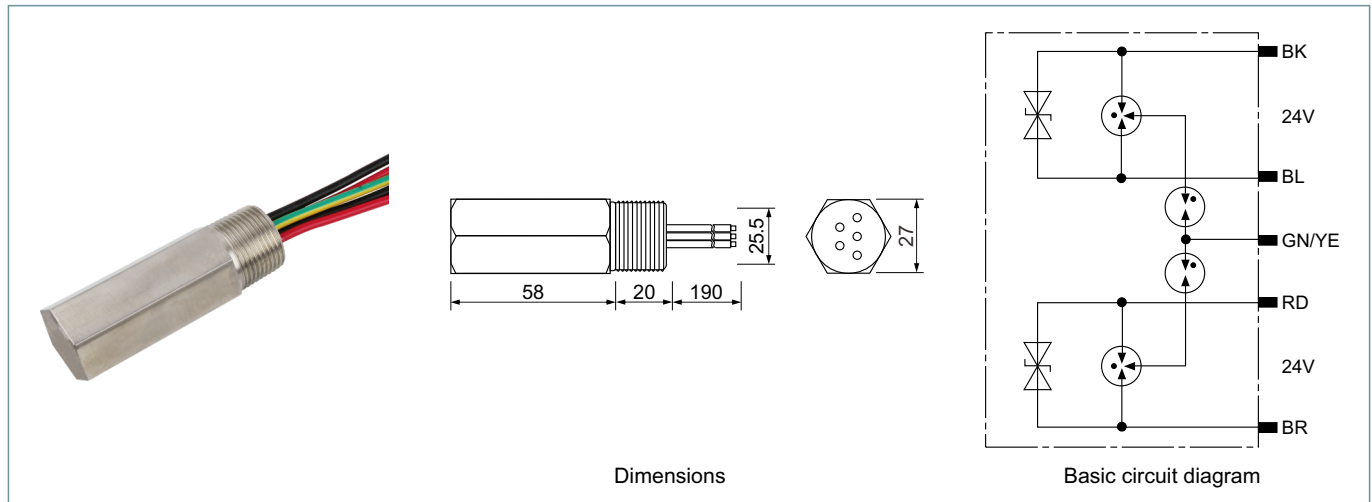


**FDB5-24**

Flameproof surge arrester for protecting two 24 V interfaces in potentially explosive atmospheres. Application: Flow sensors, temperature sensors.

- Easy to mount on the spare cable gland of field devices
- Flexible use in Ex(i) and Ex(d) circuits
- Installation in conformity with the lightning protection zone concept at the boundaries from  $O_B-2$  and higher



Type	FDB5-24	
SPD according to EN 61643-21 / IEC 61643-21	type 2 / class II	
Nominal voltage	$U_n$	24 V
Max. continuous operating a.c. voltage	$U_c$	25.4 V
Max. continuous operating d.c. voltage	$U_c$	36 V
Nominal current	$I_L$	1.5 kA
D1 Lightning impulse current (10/350 $\mu$ s) line-PG	$I_{imp}$	20 kA
C2 Total nominal discharge current (8/20 $\mu$ s)	$I_n$	10 kA
C2 Nominal discharge current (8/20 $\mu$ s) line-PG	$I_n$	10 kA
Voltage protection level line-line for In C2	$U_p$	$\leq 65$ V
Voltage protection level line-PG for In C2	$U_p$	$\leq 2000$ V
Voltage protection level line-line at 1 kV/ $\mu$ s C3	$U_p$	$\leq 50$ V
Voltage protection level line-PG at 1 kV/ $\mu$ s C3	$U_p$	$\leq 1200$ V
Capacitance line-line	C	$\leq 2$ nF
Capacitance line-PG	C	$\leq 15$ pF
Range of operating temperatures	$T_U$	-40/+80°C
Degree of protection	IP67	
For mounting on (field / device side)	M20 x 1.5 male thread	
Connection	connecting lines (1.3 mm <sup>2</sup> )	
Length of the connecting line	Approx. 150 mm	
Earthing via	connecting line	
Enclosure material	stainless steel	