

Pluggable Single Pole & Multi-pole Surge Protective Devices (SPDs)

 SLP40 series



Compliance	SLP40
IEC 61643-11:2011	✓
EN 61643-11:2012	✓
UL 1449 4th Edition	✓

LSP's Type 2 (Class II) SPDs are developed as the main protection system for any low voltage electrical installation. This type of surge protection is installed at the electrical panel or switchboard, and prevents overvoltage current spread through the electrical system of an installation, in order to protect loads and safeguard downstream equipment. The Type 2 / Class II SPD has a 8/20 μ s current waveform.



Pluggable Single-Pole SPD

SLP40-XXX/1(S)

Class II • Type 2 • Type 1CA



Location of Use: Sub-Distribution Boards
 Network Systems: TN-S, TN-C, TT (only L-N)
 Mode of Protection: L-PE, N-PE (only TN-S), L-PEN, L-N
 Surge Ratings: $I_n = 20\text{ kA}$ (8/20 μs)
 IEC/EN/UL Category: Class II / Type 2 / Type 1CA
 Protective Elements: High Energy MOV
 Housing: Pluggable Design
 Compliance: IEC 61643-11:2011
 EN 61643-11:2012
 UL 1449 4th Edition

Technical Data

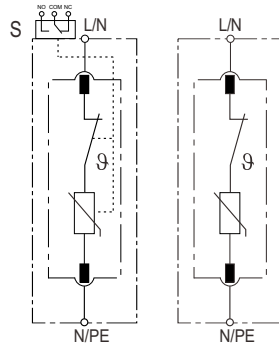
SLP40-XXX/1(S)		75	150	275	320	385	440
IEC Electrical							
Nominal AC Voltage (50/60Hz)	U_o/U_n	60 V	120 V	230 V	230 V	230 V	400 V
Maximum Continuous Operating Voltage (AC)	U_c	75 V	150 V	275 V	320 V	385 V	440 V
Nominal Discharge Current (8/20 μs)	I_n	20 kA	20 kA	20 kA	20 kA	20 kA	20 kA
Maximum Discharge Current (8/20 μs)	I_{max}	40 kA	40 kA	40 kA	40 kA	40 kA	40 kA
Voltage Protection Level	U_p	400 V	1000 V	1500 V	1600 V	1800 V	2000 V
Response Time	t_A	< 25 ns					
Back-Up Fuse (max)		125 A gL / gG					
Short-Circuit Current Rating (AC)	I_{SCCR}	25 kA / 50 kA					
TOV Withstand 5s	U_T	90V	180V	335V	335V	335V	580V
TOV 120min	U_T	115V	230V	440V	440V	440V	765V
	mode	Withstand	Withstand	Safe Fail	Safe Fail	Safe Fail	Safe Fail
Number of Ports		1					
UL Electrical							
Maximum Continuous Operating Voltage (AC)	MCOV	75 V	150 V	275 V	320 V	385 V	440 V
Voltage Protection Rating	VPR	330 V	600 V	900 V	1000 V	1200 V	1500 V
Nominal Discharge Current (8/20 μs)	I_n	20 kA	20 kA	20 kA	20 kA	20 kA	20 kA
Short-Circuit Current Rating (AC)	SCCR	100 kA	200 kA	150 kA	150 kA	150 kA	200 kA
Mechanical & Environmental							
Operating Temperature Range	T_a	-40 °F to +158 °F [-40 °C to +70 °C]					
Permissible Operating Humidity	RH	5%...95%					
Atmospheric pressure and altitude		80k Pa ... 106k Pa / -500 m ... 2000 m					
Terminal Screw Torque	M_{max}	39.9 lbf·in [4.5 Nm]					
Conductor Cross Section (max)		2 AWG (Solid, Stranded) / 4 AWG (Flexible) 35 mm ² (Solid, Stranded) / 25 mm ² (Flexible)					
Mounting		35 mm DIN Rail, EN 60715					
Degree of Protection		IP 20 (built-in)					
Housing Material		Thermoplastic: Extinguishing Degree UL 94 V-0					
Thermal Protection		Yes					
Operating State / Fault Indication		Green ok / Red defect					
Remote Contacts (RC)		Optional					
RC Switching Capacity		AC: 250V/0.5A; DC: 250V/0.1A; 125V/0.2A; 75V/0.5A					
RC Conductor Cross Section (max)		16 AWG (Solid) / 1.5 mm ² (Solid)					
Order Information							
Order Code		75	150	275	320	385	440
SLP40-XXX/1		4007511	4015011	4027511	4032011	4038511	4044011
SLP40-XXX/1S (with remote contacts)		4007512	4015012	4027512	4032012	4038512	4044012
SLP40-XXX/0 (spare modules)		4007501	4015001	4027501	4032001	4038501	4044001

SLP40-XXX/1(S)

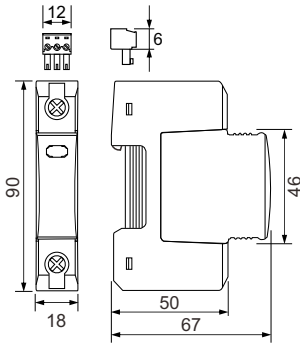
Internal Configuration

Legend

- L Line
- N Neutral
- PE Protective Earth
- S Signalling Contacts Optional



Dimensions & Packaging

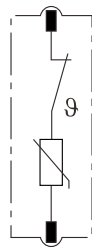


Dimensions & Packaging

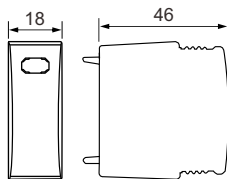
SLP40-XXX/1(S)	75	150	275	320	385	440
Single Unit DIN 43880 Dimension	1 CTN					
Packaging Dimensions (HxWxL)	[270 × 230 × 330 mm]					
Minimum Order Quantity	72 Units					

Plug Internal Configuration

SLP40-XXX/0



Dimensions & Packaging

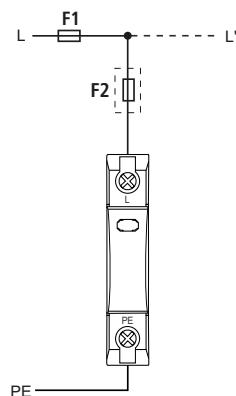


Dimensions & Packaging

SLP40-XXX/0	75	150	275	320	385	440
Single Unit DIN 43880 Dimension	1 CTN					
Packaging Dimensions (HxWxL)	[270 × 230 × 330 mm]					
Minimum Order Quantity	96 Units					

Connection Diagram

TN-S, TN-C, TT (Single-phase, 1+0)



Pluggable Multi-Pole SPD SLP40-XXX/2(S) Class II • Type 2 • Type 1CA



Location of Use: Sub-Distribution Boards
 Network Systems: TN-S
 Mode of Protection: L-PE, N-PE
 Surge Ratings: $I_n = 20\text{ kA}$ (8/20 μs)
 IEC/EN/UL Category: Class II / Type 2 / Type 1CA
 Protective Elements: High Energy MOV
 Housing: Pluggable Design
 Compliance: IEC 61643-11:2011
 EN 61643-11:2012
 UL 1449 4th Edition

Technical Data

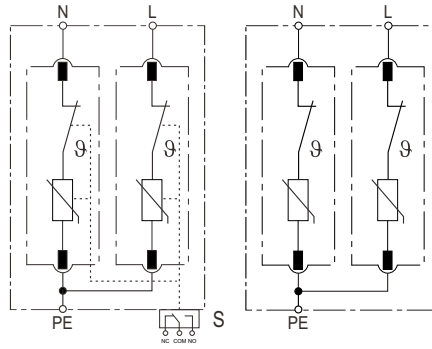
SLP40-XXX/2(S)		75	150	275	320	385	440
IEC Electrical							
Nominal AC Voltage (50/60Hz)	U_o/U_n	60 V	120 V	230 V	230 V	230 V	400 V
Maximum Continuous Operating Voltage (AC)	U_c	75 V	150 V	275 V	320 V	385 V	440 V
Nominal Discharge Current (8/20 μs)	I_n	20 kA	20 kA	20 kA	20 kA	20 kA	20 kA
Maximum Discharge Current (8/20 μs)	I_{max}	40 kA	40 kA	40 kA	40 kA	40 kA	40 kA
Voltage Protection Level	U_p	400 V	1000 V	1500 V	1600 V	1800 V	2000 V
Response Time	t_A	< 25 ns					
Back-Up Fuse (max)		125 A gL / gG					
Short-Circuit Current Rating (AC)	I_{SCCR}	25 kA / 50 kA					
TOV Withstand 5s	U_T	90V	180V	335V	335V	335V	580V
TOV 120min	U_T	115V	230V	440V	440V	440V	765V
	mode	Withstand	Withstand	Safe Fail	Safe Fail	Safe Fail	Safe Fail
Number of Ports		1					
UL Electrical							
Maximum Continuous Operating Voltage (AC)	MCOV	75 V	150 V	275 V	320 V	385 V	440 V
Voltage Protection Rating	VPR	330 V	600 V	900 V	1000 V	1200 V	1500 V
Nominal Discharge Current (8/20 μs)	I_n	20 kA	20 kA	20 kA	20 kA	20 kA	20 kA
Short-Circuit Current Rating (AC)	SCCR	100 kA	200 kA	150 kA	150 kA	150 kA	200 kA
Mechanical & Environmental							
Operating Temperature Range	T_a	-40 °F to +158 °F [-40 °C to +70 °C]					
Permissible Operating Humidity	RH	5%...95%					
Atmospheric pressure and altitude		80k Pa ... 106k Pa / -500 m ... 2000 m					
Terminal Screw Torque	M_{max}	39.9 lbf-in [4.5 Nm]					
Conductor Cross Section (max)		2 AWG (Solid, Stranded) / 4 AWG (Flexible) 35 mm ² (Solid, Stranded) / 25 mm ² (Flexible)					
Mounting		35 mm DIN Rail, EN 60715					
Degree of Protection		IP 20 (built-in)					
Housing Material		Thermoplastic: Extinguishing Degree UL 94 V-0					
Thermal Protection		Yes					
Operating State / Fault Indication		Green ok / Red defect					
Remote Contacts (RC)		Optional					
RC Switching Capacity		AC: 250V/0.5A; DC: 250V/0.1A; 125V/0.2A; 75V/0.5A					
RC Conductor Cross Section (max)		16 AWG (Solid) / 1.5 mm ² (Solid)					
Order Information							
Order Code		75	150	275	320	385	440
SLP40-XXX/2		4007521	4015021	4027521	4032021	4038521	4044021
SLP40-XXX/2S (with remote contacts)		4007522	4015022	4027522	4032022	4038522	4044022
SLP40-XXX/0 (spare modules)		4007501	4015001	4027501	4032001	4038501	4044001

SLP40-XXX/2(S)

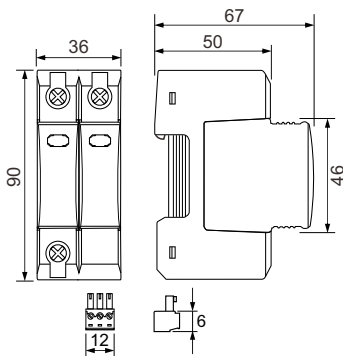
Internal Configuration

Legend

- L Line
- N Neutral
- PE Protective Earth
- S Signalling Contacts Optional



Dimensions & Packaging

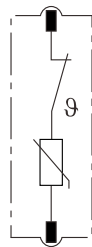


Dimensions & Packaging

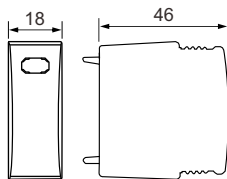
SLP40-XXX/2(S)	75	150	275	320	385	440
Single Unit DIN 43880 Dimension	1 CTN					
Packaging Dimensions (HxWxL)	[270 × 230 × 330 mm]					
Minimum Order Quantity	42 Units					

Plug Internal Configuration

SLP40-XXX/0



Dimensions & Packaging

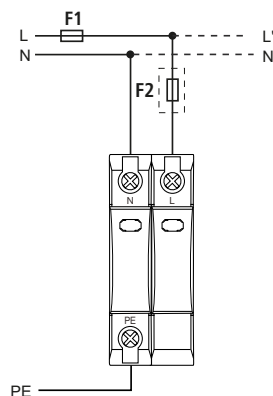


Dimensions & Packaging

SLP40-XXX/0	75	150	275	320	385	440
Single Unit DIN 43880 Dimension	1 CTN					
Packaging Dimensions (HxWxL)	[270 × 230 × 330 mm]					
Minimum Order Quantity	96 Units					

Connection Diagram

TN-S (Single-phase, 2+0)



Pluggable Multi-Pole SPD

SLP40-XXX/3(S)

Class II • Type 2 • Type 1CA



Location of Use: Sub-Distribution Boards
 Network Systems: TN-C
 Mode of Protection: L-PEN
 Surge Ratings: $I_n = 20\text{ kA (8/20 }\mu\text{s)}$
 IEC/EN/UL Category: Class II / Type 2 / Type 1CA
 Protective Elements: High Energy MOV
 Housing: Pluggable Design
 Compliance: IEC 61643-11:2011
 EN 61643-11:2012
 UL 1449 4th Edition

Technical Data

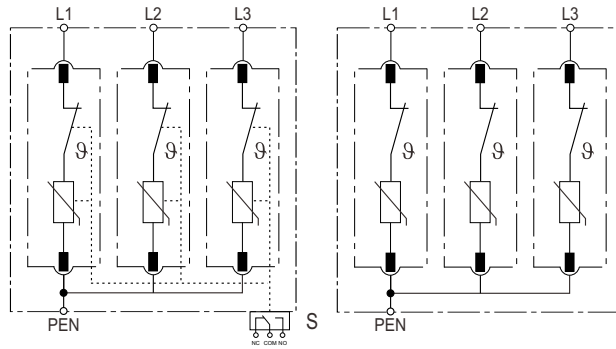
SLP40-XXX/3(S)		150	275	320	385	440
IEC Electrical						
Nominal AC Voltage (50/60Hz)	U_o/U_n	120 V	230 V	230 V	230 V	400 V
Maximum Continuous Operating Voltage (AC)	U_c	150 V	275 V	320 V	385 V	440 V
Nominal Discharge Current (8/20 μs)	I_n	20 kA	20 kA	20 kA	20 kA	20 kA
Maximum Discharge Current (8/20 μs)	I_{max}	40 kA	40 kA	40 kA	40 kA	40 kA
Voltage Protection Level	U_p	1000 V	1500 V	1600 V	1800 V	2000 V
Response Time	t_A	< 25 ns				
Back-Up Fuse (max)		125 A gL / gG				
Short-Circuit Current Rating (AC)	I_{SCCR}	25 kA / 50 kA				
TOV Withstand 5s	U_T	180V	335V	335V	335V	580V
TOV 120min	U_T	230V	440V	440V	440V	765V
	mode	Withstand	Safe Fail	Safe Fail	Safe Fail	Safe Fail
Number of Ports		1				
UL Electrical						
Maximum Continuous Operating Voltage (AC)	MCOV	150 V	275 V	320 V	385 V	440 V
Voltage Protection Rating	VPR	600 V	900 V	1000 V	1200 V	1500 V
Nominal Discharge Current (8/20 μs)	I_n	20 kA	20 kA	20 kA	20 kA	20 kA
Short-Circuit Current Rating (AC)	SCCR	200 kA	150 kA	150 kA	150 kA	200 kA
Mechanical & Environmental						
Operating Temperature Range	T_a	-40 °F to +158 °F [-40 °C to +70 °C]				
Permissible Operating Humidity	RH	5%...95%				
Atmospheric pressure and altitude		80k Pa ... 106k Pa / -500 m ... 2000 m				
Terminal Screw Torque	M_{max}	39.9 lbf-in [4.5 Nm]				
Conductor Cross Section (max)		2 AWG (Solid, Stranded) / 4 AWG (Flexible) 35 mm ² (Solid, Stranded) / 25 mm ² (Flexible)				
Mounting		35 mm DIN Rail, EN 60715				
Degree of Protection		IP 20 (built-in)				
Housing Material		Thermoplastic: Extinguishing Degree UL 94 V-0				
Thermal Protection		Yes				
Operating State / Fault Indication		Green ok / Red defect				
Remote Contacts (RC)		Optional				
RC Switching Capacity		AC: 250V/0.5A; DC: 250V/0.1A; 125V/0.2A; 75V/0.5A				
RC Conductor Cross Section (max)		16 AWG (Solid) / 1.5 mm ² (Solid)				
Order Information						
Order Code		150	275	320	385	440
SLP40-XXX/3		4015031	4027531	4032031	4038531	4044031
SLP40-XXX/3S (with remote contacts)		4015032	4027532	4032032	4038532	4044032
SLP40-XXX/0 (spare modules)		4015001	4027501	4032001	4038501	4044001

SLP40-XXX/3(S)

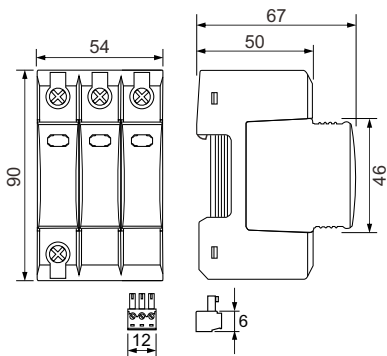
Internal Configuration

Legend

- L Line
- N Neutral
- PE Protective Earth
- S Signalling Contacts Optional



Dimensions & Packaging

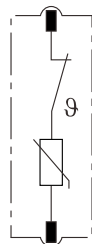


Dimensions & Packaging

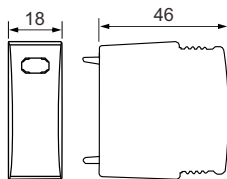
SLP40-XXX/3(S)	150	275	320	385	440
Single Unit DIN 43880 Dimension	1 CTN				
Packaging Dimensions (HxWxL)	[270 × 230 × 330 mm]				
Minimum Order Quantity	30 Units				

Plug Internal Configuration

SLP40-XXX/0



Dimensions & Packaging

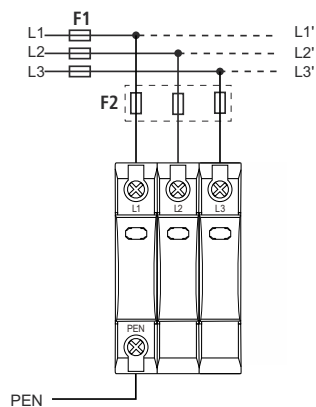


Dimensions & Packaging

SLP40-XXX/0	150	275	320	385	440
Single Unit DIN 43880 Dimension	1 CTN				
Packaging Dimensions (HxWxL)	[270 × 230 × 330 mm]				
Minimum Order Quantity	96 Units				

Connection Diagram

TN-C (Three-phase, 3+0)



Pluggable Multi-Pole SPD

SLP40-XXX/4(S)

Class II • Type 2 • Type 1CA



Location of Use: Sub-Distribution Boards
 Network Systems: TN-S
 Mode of Protection: L-PE, N-PE
 Surge Ratings: $I_n = 20\text{ kA}$ (8/20 μs)
 IEC/EN/UL Category: Class II / Type 2 / Type 1CA
 Protective Elements: High Energy MOV
 Housing: Pluggable Design
 Compliance: IEC 61643-11:2011
 EN 61643-11:2012
 UL 1449 4th Edition

Technical Data

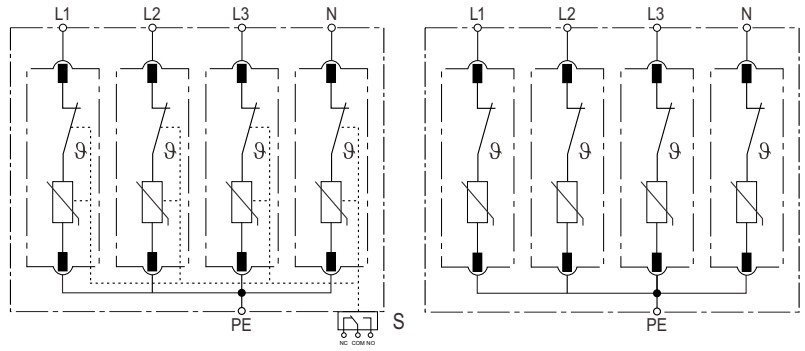
SLP40-XXX/4(S)		150	275	320	385	440
IEC Electrical						
Nominal AC Voltage (50/60Hz)	U_o/U_n	120 V	230 V	230 V	230 V	400 V
Maximum Continuous Operating Voltage (AC)	U_c	150 V	275 V	320 V	385 V	440 V
Nominal Discharge Current (8/20 μs)	I_n	20 kA	20 kA	20 kA	20 kA	20 kA
Maximum Discharge Current (8/20 μs)	I_{max}	40 kA	40 kA	40 kA	40 kA	40 kA
Voltage Protection Level	U_p	1000 V	1500 V	1600 V	1800 V	2000 V
Response Time	t_A			< 25 ns		
Back-Up Fuse (max)				125 A gL / gG		
Short-Circuit Current Rating (AC)	I_{SCCR}			25 kA / 50 kA		
TOV Withstand 5s	U_T	180V	335V	335V	335V	580V
TOV 120min	U_T	230V	440V	440V	440V	765V
	mode	Withstand	Safe Fail	Safe Fail	Safe Fail	Safe Fail
Number of Ports				1		
UL Electrical						
Maximum Continuous Operating Voltage (AC)	MCOV	150 V	275 V	320 V	385 V	440 V
Voltage Protection Rating	VPR	600 V	900 V	1000 V	1200 V	1500 V
Nominal Discharge Current (8/20 μs)	I_n	20 kA	20 kA	20 kA	20 kA	20 kA
Short-Circuit Current Rating (AC)	SCCR	200 kA	150 kA	150 kA	150 kA	200 kA
Mechanical & Environmental						
Operating Temperature Range	T_a	-40 °F to +158 °F [-40 °C to +70 °C]				
Permissible Operating Humidity	RH	5%...95%				
Atmospheric pressure and altitude		80k Pa ... 106k Pa / -500 m ... 2000 m				
Terminal Screw Torque	M_{max}	39.9 lbf-in [4.5 Nm]				
Conductor Cross Section (max)		2 AWG (Solid, Stranded) / 4 AWG (Flexible) 35 mm ² (Solid, Stranded) / 25 mm ² (Flexible)				
Mounting		35 mm DIN Rail, EN 60715				
Degree of Protection		IP 20 (built-in)				
Housing Material		Thermoplastic: Extinguishing Degree UL 94 V-0				
Thermal Protection		Yes				
Operating State / Fault Indication		Green ok / Red defect				
Remote Contacts (RC)		Optional				
RC Switching Capacity		AC: 250V/0.5A; DC: 250V/0.1A; 125V/0.2A; 75V/0.5A				
RC Conductor Cross Section (max)		16 AWG (Solid) / 1.5 mm ² (Solid)				
Order Information						
Order Code		150	275	320	385	440
SLP40-XXX/4		4015041	4027541	4032041	4038541	4044041
SLP40-XXX/4S (with remote contacts)		4015042	4027542	4032042	4038542	4044042
SLP40-XXX/0 (spare modules)		4015001	4027501	4032001	4038501	4044001

SLP40-XXX/4(S)

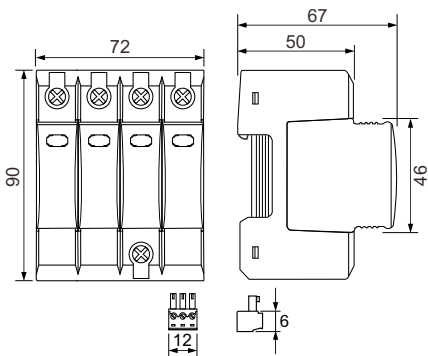
Internal Configuration

Legend

- L Line
- N Neutral
- PE Protective Earth
- S Signalling Contacts Optional



Dimensions & Packaging

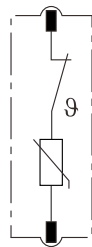


Dimensions & Packaging

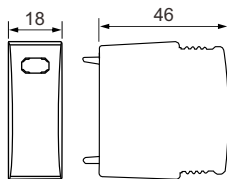
SLP40-XXX/4(S)	150	275	320	385	440
Single Unit DIN 43880 Dimension	1 CTN				
Packaging Dimensions (HxWxL)	[270 × 230 × 330 mm]				
Minimum Order Quantity	24 Units				

Plug Internal Configuration

SLP40-XXX/0



Dimensions & Packaging

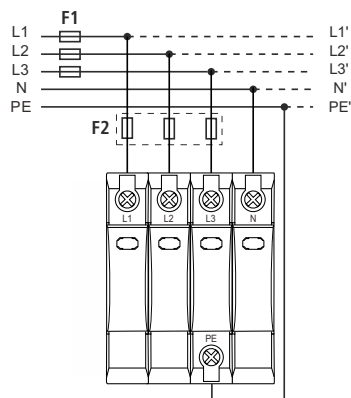


Dimensions & Packaging

SLP40-XXX/0	150	275	320	385	440
Single Unit DIN 43880 Dimension	1 CTN				
Packaging Dimensions (HxWxL)	[270 × 230 × 330 mm]				
Minimum Order Quantity	96 Units				

Connection Diagram

TN-S (Three-phase, 4+0)



Pluggable Multi-Pole SPD SLP40-XXX/1(S)+1

Class II • Type 2 • Type 1CA



Location of Use: Sub-Distribution Boards
 Network Systems: TT, TN-S
 Mode of Protection: L-N, N-PE
 Surge Ratings: $I_n = 20\text{ kA}$ (8/20 μs)
 IEC/EN/UL Category: Class II / Type 2 / Type 1CA
 Protective Elements: High Energy MOV and GDT
 Housing: Pluggable Design
 Compliance: IEC 61643-11:2011
 EN 61643-11:2012
 UL 1449 4th Edition

Technical Data

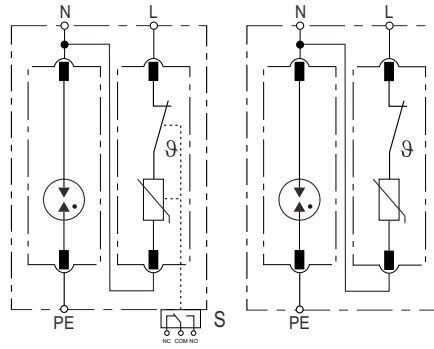
SLP40-XXX/1(S)+1		75	150	275	320
IEC Electrical					
Nominal AC Voltage (50/60Hz)		60 V	120 V	230 V	230 V
Maximum Continuous Operating Voltage	(L - N) U_c	75 V	150 V	275 V	320 V
	(N - PE) U_c	255V	255 V	255 V	255 V
Nominal Discharge Current (8/20 μs)	(L - N) / (N - PE) I_n	20 kA / 20 kA			
Maximum Discharge Current (8/20 μs)	(L - N) / (N - PE) I_{max}	40 kA / 40 kA			
Voltage Protection Level	(L - N) / (N - PE) U_p	400V / 1500V	1000V / 1500V	1500V / 1500V	1600V / 1500V
Follow Current Interrupt Rating	(N-PE) I_{fi}	100A _{RMS}			
Response Time	(L-N)/(N-PE) t_A	< 25 ns / < 100 ns			
Back-Up Fuse (max)		125 A gL / gG			
Short-Circuit Current Rating (AC)	(L - N) I_{SCCR}	25 kA / 50 kA			
TOV Withstand 5s	(L - N) U_T	90V	180V	335V	335V
TOV 120min	(L - N) U_T	115V	230V	440V	440V
		mode	Withstand	Withstand	Safe Fail
TOV Withstand 200ms	(N-PE) U_T	1200V			
Number of Ports		1			
UL Electrical					
Maximum Continuous Operating Voltage (AC)	(L - N) / (N - PE) MCOV	75 V / 255 V	150 V / 255 V	275 V / 255 V	320 V / 255 V
Voltage Protection Rating	(L - N) / (N - PE) VPR	330 V / 1000 V	600 V / 1000 V	900 V / 1000 V	1000 V / 1000 V
Nominal Discharge Current (8/20 μs)	(L - N) / (N - PE) I_n	20 kA / 20 kA	20 kA / 20 kA	20 kA / 20 kA	20 kA / 20 kA
Short-Circuit Current Rating (AC)	(L - N) SCCR	100 kA	200 kA	150 kA	150 kA
Mechanical & Environmental					
Operating Temperature Range	T_a	-40 °F to +158 °F [-40 °C to +70 °C]			
Permissible Operating Humidity	RH	5%...95%			
Atmospheric pressure and altitude		80k Pa ... 106k Pa / -500 m ... 2000 m			
Terminal Screw Torque	M_{max}	39.9 lbf-in [4.5Nm]			
Conductor Cross Section (max)		2 AWG (Solid, Stranded) / 4 AWG (Flexible)			
		35 mm ² (Solid, Stranded) / 25 mm ² (Flexible)			
Mounting		35 mm DIN Rail, EN 60715			
Degree of Protection		IP 20 (built-in)			
Housing Material		Thermoplastic: Extinguishing Degree UL 94 V-0			
Thermal Protection		Yes			
Operating State / Fault Indication		Green ok / Red defect			
Remote Contacts (RC)		Optional			
RC Switching Capacity		AC: 250V/0.5A; DC: 250V/0.1A; 125V/0.2A; 75V/0.5A			
RC Conductor Cross Section (max)		16 AWG (Solid) / 1.5 mm ² (Solid)			
Order Information					
Order Code		75	150	275	320
SLP40-XXX/1+1		4007513	4015013	4027513	4032013
SLP40-XXX/1S+1 (with remote contacts)		4007514	4015014	4027514	4032014
SLP40-XXX/0 (spare modules)		4007501	4015001	4027501	4032001
SLP40-NPE/0 (spare modules)		4025501	4025501	4025501	4025501

SLP40-XXX/1(S)+1

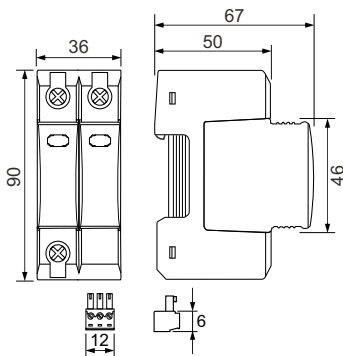
Internal Configuration

Legend

- L Line
- N Neutral
- PE Protective Earth
- S Signalling Contacts Optional



Dimensions & Packaging

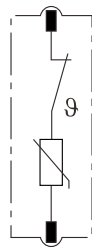


Dimensions & Packaging

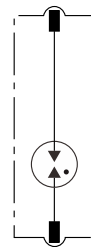
SLP40-XXX/1(S)+1	75	150	275	320
Single Unit DIN 43880 Dimension	1 CTN			
Packaging Dimensions (HxWxL)	[270 × 230 × 330 mm]			
Minimum Order Quantity	42 Units			

Plug Internal Configuration

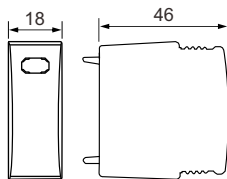
SLP40-XXX/0



SLP40-NPE/0



Dimensions & Packaging

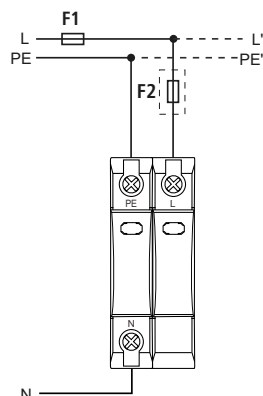


Dimensions & Packaging

SLP40-XXX/0	75	150	275	320
SLP40-NPE/0	40			
Single Unit DIN 43880 Dimension	1 CTN			
Packaging Dimensions (HxWxL)	[270 × 230 × 330 mm]			
Minimum Order Quantity	96 Units			

Connection Diagram

TN-S,TT (Single-phase, 1+1)



Pluggable Multi-Pole SPD SLP40-XXX/2(S)+1

Class II • Type 2 • Type 1CA



Location of Use: Sub-Distribution Boards
 Network Systems: TT, TN-S
 Mode of Protection: L-N, N-PE
 Surge Ratings: $I_n = 20\text{ kA (8/20 }\mu\text{s)}$
 IEC/EN/UL Category: Class II / Type 2 / Type 1CA
 Protective Elements: High Energy MOV and GDT
 Housing: Pluggable Design
 Compliance: IEC 61643-11:2011
 EN 61643-11:2012
 UL 1449 4th Edition

Technical Data

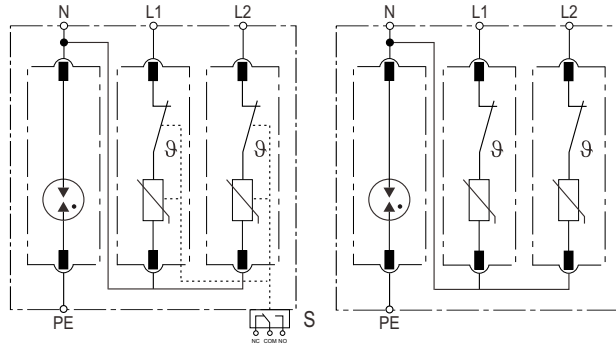
SLP40-XXX/2(S)+1	150	275	320	385	
IEC Electrical					
Nominal AC Voltage (50/60Hz)	120 V	230 V	230 V	230 V	
Maximum Continuous Operating Voltage	(L - N) U_c	150 V	275 V	320 V	385 V
	(N - PE) U_c	255 V	255 V	255 V	255 V
Nominal Discharge Current (8/20 μs)	(L - N) / (N - PE) I_n	20 kA / 20 kA			
Maximum Discharge Current (8/20 μs)	(L - N) / (N - PE) I_{max}	40 kA / 40 kA			
Voltage Protection Level	(L - N) / (N - PE) U_p	1000 V / 1500 V	1500 V / 1500 V	1600 V / 1500 V	1800 V / 1500 V
Follow Current Interrupt Rating	(N-PE) I_{fi}	100 A _{RMS}			
Response Time	(L-N)/(N-PE) t_A	< 25 ns / < 100 ns			
Back-Up Fuse (max)		125 A gL / gG			
Short-Circuit Current Rating (AC)	(L - N) I_{SCCR}	25 kA / 50 kA			
TOV Withstand 5s	(L - N) U_T	180V	335V	335V	335V
TOV 120min	(L - N) U_T	mode	Withstand	Safe Fail	Safe Fail
		mode	Withstand	Safe Fail	Safe Fail
TOV Withstand 200ms	(N-PE) U_T	1200V			
Number of Ports		1			
UL Electrical					
Maximum Continuous Operating Voltage (AC)	(L - N) / (N - PE) MCOV	150 V / 255 V	275 V / 255 V	320 V / 255 V	320 V / 255 V
Voltage Protection Rating	(L - N) / (N - PE) VPR	600 V / 1000 V	900 V / 1000 V	1000 V / 1000 V	1200 V / 1000 V
Nominal Discharge Current (8/20 μs)	(L - N) / (N - PE) I_n	20 kA / 20 kA	20 kA / 20 kA	20 kA / 20 kA	20 kA / 20 kA
Short-Circuit Current Rating (AC)	(L - N) SCCR	200 kA	150 kA	150 kA	150 kA
Mechanical & Environmental					
Operating Temperature Range	T_a	-40 °F to +158 °F [-40 °C to +70 °C]			
Permissible Operating Humidity	RH	5%...95%			
Atmospheric pressure and altitude		80k Pa ... 106k Pa / -500 m ... 2000 m			
Terminal Screw Torque	M_{max}	39.9 lbf-in [4.5Nm]			
Conductor Cross Section (max)		2 AWG (Solid, Stranded) / 4 AWG (Flexible)			
		35 mm ² (Solid, Stranded) / 25 mm ² (Flexible)			
Mounting		35 mm DIN Rail, EN 60715			
Degree of Protection		IP 20 (built-in)			
Housing Material		Thermoplastic: Extinguishing Degree UL 94 V-0			
Thermal Protection		Yes			
Operating State / Fault Indication		Green ok / Red defect			
Remote Contacts (RC)		Optional			
RC Switching Capacity		AC: 250V/0.5A; DC: 250V/0.1A; 125V/0.2A; 75V/0.5A			
RC Conductor Cross Section (max)		16 AWG (Solid) / 1.5 mm ² (Solid)			
Order Information					
Order Code	150	275	320	385	
SLP40-XXX/2+1	4015023	4027523	4032023	4038523	
SLP40-XXX/2S+1 (with remote contacts)	4015024	4027524	4032024	4038524	
SLP40-XXX/0 (spare modules)	4015001	4027501	4032001	4038501	
SLP40-NPE/0 (spare modules)	4025501	4025501	4025501	4025501	

SLP40-XXX/2(S)+1

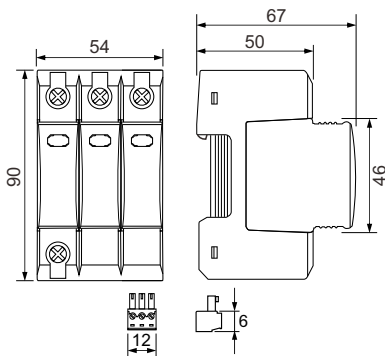
Internal Configuration

Legend

- L Line
- N Neutral
- PE Protective Earth
- S Signalling Contacts Optional



Dimensions & Packaging

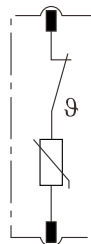


Dimensions & Packaging

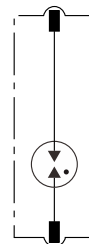
SLP40-XXX/2(S)+1	150	275	320	385
Single Unit DIN 43880 Dimension	1 CTN			
Packaging Dimensions (HxWxL)	[270 × 230 × 330 mm]			
Minimum Order Quantity	30 Units			

Plug Internal Configuration

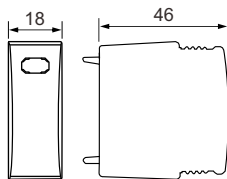
SLP40-XXX/0



SLP40-NPE/0



Dimensions & Packaging

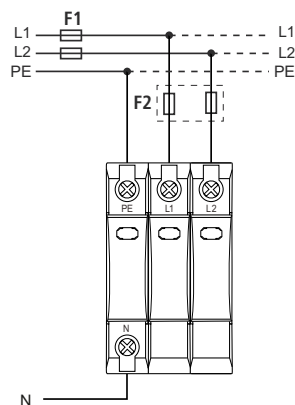


Dimensions & Packaging

SLP40-XXX/0	150	275	320	385
SLP40-NPE/0	40			
Single Unit DIN 43880 Dimension	1 CTN			
Packaging Dimensions (HxWxL)	[270 × 230 × 330 mm]			
Minimum Order Quantity	96 Units			

Connection Diagram

TN-S, TT (Three-phase, 2+1)



Pluggable Multi-Pole SPD SLP40-XXX/3(S)+1

Class II • Type 2 • Type 1CA



Location of Use: Sub-Distribution Boards
 Network Systems: TT, TN-S
 Mode of Protection: L-N, N-PE
 Surge Ratings: $I_n = 20\text{ kA}$ (8/20 μs)
 IEC/EN/UL Category: Class II / Type 2 / Type 1CA
 Protective Elements: High Energy MOV and GDT
 Housing: Pluggable Design
 Compliance: IEC 61643-11:2011
 EN 61643-11:2012
 UL 1449 4th Edition

Technical Data

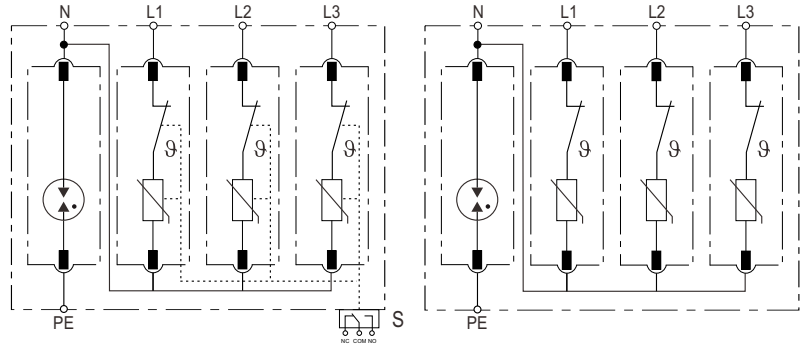
SLP40-XXX/3(S)+1		150	275	320	385
IEC Electrical					
Nominal AC Voltage (50/60Hz)		120 V	230 V	230 V	230 V
Maximum Continuous Operating Voltage	(L - N) U_c	150 V	275 V	320 V	385 V
	(N - PE) U_c	255 V	255 V	255 V	255 V
Nominal Discharge Current (8/20 μs)	(L - N) / (N - PE) I_n	20 kA / 20 kA			
Maximum Discharge Current (8/20 μs)	(L - N) / (N - PE) I_{max}	40 kA / 40 kA			
Voltage Protection Level	(L - N) / (N - PE) U_p	1000 V / 1500 V	1500 V / 1500 V	1600 V / 1500 V	1800 V / 1500 V
Follow Current Interrupt Rating	(N-PE) I_{fi}	100 A _{RMS}			
Response Time	(L-N)/(N-PE) t_A	< 25 ns / < 100 ns			
Back-Up Fuse (max)		125 A gL / gG			
Short-Circuit Current Rating (AC)	(L - N) I_{SCCR}	25 kA / 50 kA			
TOV Withstand 5s	(L - N) U_T	180V	335V	335V	335V
TOV 120min	(L - N) U_T	230V	440V	440V	440V
		mode	Withstand	Safe Fail	Safe Fail
TOV Withstand 200ms	(N-PE) U_T	1200V			
Number of Ports		1			
UL Electrical					
Maximum Continuous Operating Voltage (AC)	(L - N) / (N - PE) MCOV	150 V / 255 V	275 V / 255 V	320 V / 255 V	320 V / 255 V
Voltage Protection Rating	(L - N) / (N - PE) VPR	600 V / 1000 V	900 V / 1000 V	1000 V / 1000 V	1200 V / 1000 V
Nominal Discharge Current (8/20 μs)	(L - N) / (N - PE) I_n	20 kA / 20 kA	20 kA / 20 kA	20 kA / 20 kA	20 kA / 20 kA
Short-Circuit Current Rating (AC)	(L - N) SCCR	200 kA	150 kA	150 kA	150 kA
Mechanical & Environmental					
Operating Temperature Range	T_a	-40 °F to +158 °F [-40 °C to +70 °C]			
Permissible Operating Humidity	RH	5%...95%			
Atmospheric pressure and altitude		80k Pa ... 106k Pa / -500 m ... 2000 m			
Terminal Screw Torque	M_{max}	39.9 lbf-in [4.5Nm]			
Conductor Cross Section (max)		2 AWG (Solid, Stranded) / 4 AWG (Flexible)			
		35 mm ² (Solid, Stranded) / 25 mm ² (Flexible)			
Mounting		35 mm DIN Rail, EN 60715			
Degree of Protection		IP 20 (built-in)			
Housing Material		Thermoplastic: Extinguishing Degree UL 94 V-0			
Thermal Protection		Yes			
Operating State / Fault Indication		Green ok / Red defect			
Remote Contacts (RC)		Optional			
RC Switching Capacity		AC: 250V/0.5A; DC: 250V/0.1A; 125V/0.2A; 75V/0.5A			
RC Conductor Cross Section (max)		16 AWG (Solid) / 1.5 mm ² (Solid)			
Order Information					
Order Code		150	275	320	385
SLP40-XXX/3+1		4015033	4027533	4032033	4038533
SLP40-XXX/3S+1 (with remote contacts)		4015034	4027534	4032034	4038534
SLP40-XXX/0 (spare modules)		4015001	4027501	4032001	4038501
SLP40-NPE/0 (spare modules)		4025501	4025501	4025501	4025501

SLP40-XXX/3(S)+1

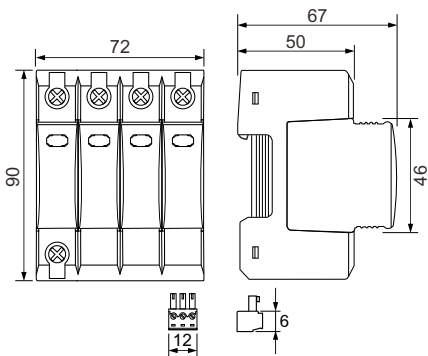
Internal Configuration

Legend

- L Line
- N Neutral
- PE Protective Earth
- S Signalling Contacts Optional



Dimensions & Packaging

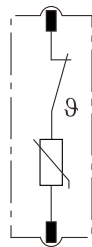


Dimensions & Packaging

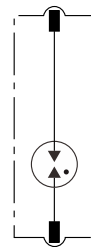
SLP40-XXX/3(S)+1	150	275	320	385
Single Unit DIN 43880 Dimension	1 CTN			
Packaging Dimensions (HxWxL)	[270 x 230 x 330 mm]			
Minimum Order Quantity	24 Units			

Plug Internal Configuration

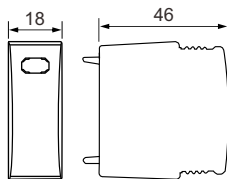
SLP40-XXX/0



SLP40-NPE/0



Dimensions & Packaging



Dimensions & Packaging

SLP40-XXX/0	150	275	320	385
SLP40-NPE/0	40			
Single Unit DIN 43880 Dimension	1 CTN			
Packaging Dimensions (HxWxL)	[270 x 230 x 330 mm]			
Minimum Order Quantity	96 Units			

Connection Diagram

TN-S, TT (Three-phase, 3+1)

