

# TYPE 2 AC SURGE PROTECTOR FOR PCB MOUNTING

## SLP20P-XXX

Class II • Type 2



Location of Use: For PCB mounting  
 Surge Ratings:  $I_n = 10 \text{ kA}$  (8/20  $\mu\text{s}$ )  
 IEC/EN Category: Class II / Type 2  
 Protective Elements: High Energy MOV  
 Compliance: IEC 61643-11:2011  
 EN 61643-11:2012

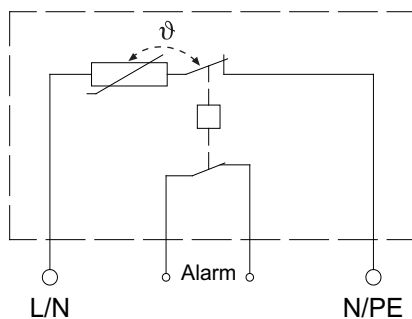
### Technical Data

SLP20P-XXX		75	150	275	320	385	440
<b>IEC Electrical</b>							
Nominal AC Voltage (50/60Hz)	$U_o/U_n$	60 V	120 V	230 V	230 V	230 V	400 V
Maximum Continuous Operating Voltage (AC)	$U_c$	75 V	150 V	275 V	320 V	385 V	440 V
Nominal Discharge Current (8/20 $\mu\text{s}$ )	$I_n$	10 kA					
Maximum Discharge Current (8/20 $\mu\text{s}$ )	$I_{max}$	20 kA					
Voltage Protection Level	$U_p$	300 V	600 V	1200 V	1400 V	1600 V	1800 V
Response Time	$t_A$	< 25 ns					
Back-Up Fuse (max)		63 A gL / gG					
Short-Circuit Current Rating (AC)	$I_{SCCR}$	25 kA					
TOV Withstand 5s	$U_T$	90V	180V	335V	335V	335V	580V
TOV 120min	$U_T$	115V	230V	440V	440V	440V	765V
	mode	Withstand	Withstand	Safe Fail	Safe Fail	Safe Fail	Safe Fail

<b>Mechanical &amp; Environmental</b>		
Operating Temperature Range	$T_a$	-40 °F to +158 °F [-40 °C to +70 °C]
Permissible Operating Humidity	RH	5%...95%
Atmospheric pressure and altitude		80k Pa ... 106k Pa / -500 m ... 2000 m
Connection to Network		Through soldering pins
Mounting		On Printed Circuit Board
Degree of Protection		IP 20 (built-in)
Housing Material		Thermoplastic: Extinguishing Degree UL 94 V-0
Disconnection indicator		1 mechanical indicator by pole
Operating State / Fault Indication		Green ok / Red defect
Remote signaling of disconnection		Output on changeover contact

<b>Order Information</b>		75	150	275	320	385	440
Order Code							
SLP20P-XXX		2007515	2015015	2027515	2032015	2038515	2044015

### Internal Configuration



### Dimensions

Units: (mm)

