

Pluggable Single-Pole SPD

SLP40-XXX/1(S)

Class II • Type 2 • Type 1CA



Location of Use: Sub-Distribution Boards
 Network Systems: TN-S, TN-C, TT (only L-N)
 Mode of Protection: L-PE, N-PE (only TN-S), L-PEN, L-N
 Surge Ratings: $I_n = 20\text{ kA}$ (8/20 μs)
 IEC/EN/UL Category: Class II / Type 2 / Type 1CA
 Protective Elements: High Energy MOV
 Housing: Pluggable Design
 Compliance: IEC 61643-11:2011
 EN 61643-11:2012

Technical Data

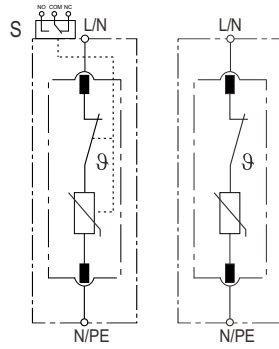
SLP40-XXX/1(S)		75	150	275	320	385	440
IEC Electrical							
Nominal AC Voltage (50/60Hz)	U_o/U_n	60 V	120 V	230 V	230 V	230 V	400 V
Maximum Continuous Operating Voltage (AC)	U_c	75 V	150 V	275 V	320 V	385 V	440 V
Nominal Discharge Current (8/20 μs)	I_n	20 kA	20 kA	20 kA	20 kA	20 kA	20 kA
Maximum Discharge Current (8/20 μs)	I_{max}	40 kA	40 kA	40 kA	40 kA	40 kA	40 kA
Voltage Protection Level	U_p	400 V	1000 V	1500 V	1600 V	1800 V	2000 V
Response Time	t_A	< 25 ns					
Back-Up Fuse (max)		125 A gL / gG					
Short-Circuit Current Rating (AC)	I_{SCCR}	25 kA / 50 kA					
TOV Withstand 5s	U_T	90V	180V	335V	335V	335V	580V
TOV 120min	U_T	115V	230V	440V	440V	440V	765V
	mode	Withstand	Withstand	Safe Fail	Safe Fail	Safe Fail	Safe Fail
Number of Ports		1					
Mechanical & Environmental							
Operating Temperature Range	T_a	-40 °F to +158 °F [-40 °C to +70 °C]					
Permissible Operating Humidity	RH	5%...95%					
Atmospheric pressure and altitude		80k Pa ... 106k Pa / -500 m ... 2000 m					
Terminal Screw Torque	M_{max}	39.9 lbf-in [4.5Nm]					
Conductor Cross Section (max)		2 AWG (Solid, Stranded) / 4 AWG (Flexible) 35 mm ² (Solid, Stranded) / 25 mm ² (Flexible)					
Mounting		35 mm DIN Rail, EN 60715					
Degree of Protection		IP 20 (built-in)					
Housing Material		Thermoplastic: Extinguishing Degree UL 94 V-0					
Thermal Protection		Yes					
Operating State / Fault Indication		Green ok / Red defect					
Remote Contacts (RC)		Optional					
RC Switching Capacity		AC: 250V/0.5A; DC: 250V/0.1A; 125V/0.2A; 75V/0.5A					
RC Conductor Cross Section (max)		16 AWG (Solid) / 1.5 mm ² (Solid)					
Order Information							
Order Code		75	150	275	320	385	440
SLP40-XXX/1		4007511	4015011	4027511	4032011	4038511	4044011
SLP40-XXX/1S (with remote contacts)		4007512	4015012	4027512	4032012	4038512	4044012
SLP40-XXX/0 (spare modules)		4007501	4015001	4027501	4032001	4038501	4044001

SLP40-XXX/1(S)

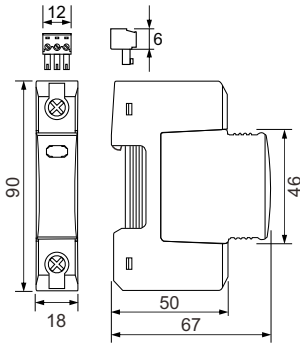
Internal Configuration

Legend

- L Line
- N Neutral
- PE Protective Earth
- S Signalling Contacts Optional



Dimensions & Packaging

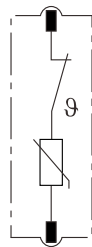


Dimensions & Packaging

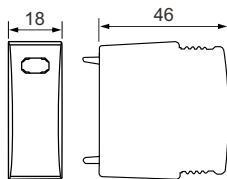
SLP40-XXX/1(S)	75	150	275	320	385	440
Single Unit DIN 43880 Dimension	1 CTN					
Packaging Dimensions (HxWxL)	[270 × 230 × 330 mm]					
Minimum Order Quantity	72 Units					

Plug Internal Configuration

SLP40-XXX/0



Dimensions & Packaging

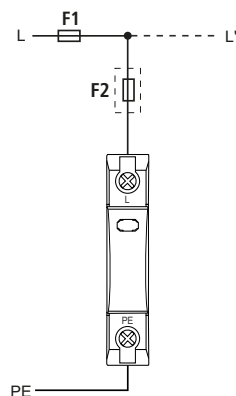


Dimensions & Packaging

SLP40-XXX/0	75	150	275	320	385	440
Single Unit DIN 43880 Dimension	1 CTN					
Packaging Dimensions (HxWxL)	[270 × 230 × 330 mm]					
Minimum Order Quantity	96 Units					

Connection Diagram

TN-S, TN-C, TT (Single-phase, 1+0)



Pluggable Multi-Pole SPD

SLP40-XXX/2(S)

Class II • Type 2 • Type 1CA



Location of Use: Sub-Distribution Boards
 Network Systems: TN-S
 Mode of Protection: L-PE, N-PE
 Surge Ratings: $I_n = 20\text{ kA}$ (8/20 μs)
 IEC/EN/UL Category: Class II / Type 2 / Type 1CA
 Protective Elements: High Energy MOV
 Housing: Pluggable Design
 Compliance: IEC 61643-11:2011
 EN 61643-11:2012

Technical Data

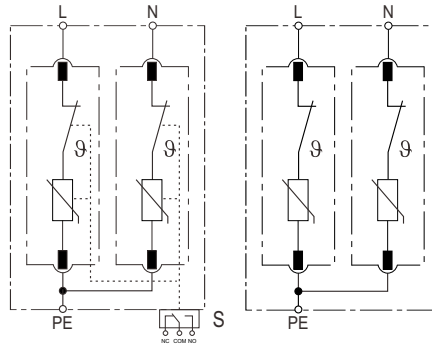
SLP40-XXX/2(S)		75	150	275	320	385	440
IEC Electrical							
Nominal AC Voltage (50/60Hz)	U_o/U_n	60 V	120 V	230 V	230 V	230 V	400 V
Maximum Continuous Operating Voltage (AC)	U_c	75 V	150 V	275 V	320 V	385 V	440 V
Nominal Discharge Current (8/20 μs)	I_n	20 kA	20 kA	20 kA	20 kA	20 kA	20 kA
Maximum Discharge Current (8/20 μs)	I_{max}	40 kA	40 kA	40 kA	40 kA	40 kA	40 kA
Voltage Protection Level	U_p	400 V	1000 V	1500 V	1600 V	1800 V	2000 V
Response Time	t_A	< 25 ns					
Back-Up Fuse (max)		125 A gL / gG					
Short-Circuit Current Rating (AC)	I_{SCCR}	25 kA / 50 kA					
TOV Withstand 5s	U_T	90V	180V	335V	335V	335V	580V
TOV 120min	U_T	115V	230V	440V	440V	440V	765V
	mode	Withstand	Withstand	Safe Fail	Safe Fail	Safe Fail	Safe Fail
Number of Ports		1					
Mechanical & Environmental							
Operating Temperature Range	T_a	-40 °F to +158 °F [-40 °C to +70 °C]					
Permissible Operating Humidity	RH	5%...95%					
Atmospheric pressure and altitude		80k Pa ... 106k Pa / -500 m ... 2000 m					
Terminal Screw Torque	M_{max}	39.9 lbf-in [4.5Nm]					
Conductor Cross Section (max)		2 AWG (Solid, Stranded) / 4 AWG (Flexible) 35 mm ² (Solid, Stranded) / 25 mm ² (Flexible)					
Mounting		35 mm DIN Rail, EN 60715					
Degree of Protection		IP 20 (built-in)					
Housing Material		Thermoplastic: Extinguishing Degree UL 94 V-0					
Thermal Protection		Yes					
Operating State / Fault Indication		Green ok / Red defect					
Remote Contacts (RC)		Optional					
RC Switching Capacity		AC: 250V/0.5A; DC: 250V/0.1A; 125V/0.2A; 75V/0.5A					
RC Conductor Cross Section (max)		16 AWG (Solid) / 1.5 mm ² (Solid)					
Order Information							
Order Code		75	150	275	320	385	440
SLP40-XXX/2		4007521	4015021	4027521	4032021	4038521	4044021
SLP40-XXX/2S (with remote contacts)		4007522	4015022	4027522	4032022	4038522	4044022
SLP40-XXX/0 (spare modules)		4007501	4015001	4027501	4032001	4038501	4044001

SLP40-XXX/2(S)

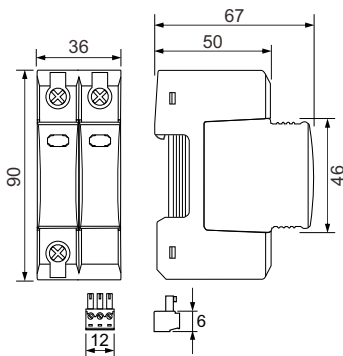
Internal Configuration

Legend

- L Line
- N Neutral
- PE Protective Earth
- S Signalling Contacts Optional



Dimensions & Packaging

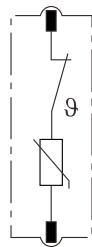


Dimensions & Packaging

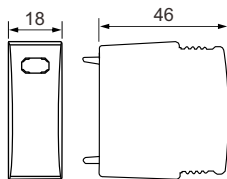
SLP40-XXX/2(S)	75	150	275	320	385	440
Single Unit DIN 43880 Dimension	1 CTN					
Packaging Dimensions (HxWxL)	[270 x 230 x 330 mm]					
Minimum Order Quantity	42 Units					

Plug Internal Configuration

SLP40-XXX/0



Dimensions & Packaging

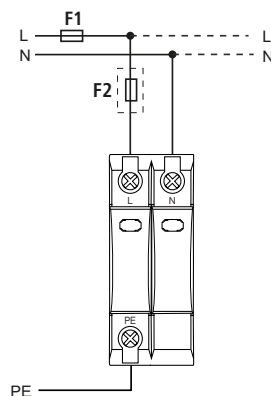


Dimensions & Packaging

SLP40-XXX/0	75	150	275	320	385	440
Single Unit DIN 43880 Dimension	1 CTN					
Packaging Dimensions (HxWxL)	[270 x 230 x 330 mm]					
Minimum Order Quantity	96 Units					

Connection Diagram

TN-S (Single-phase, 2+0)



Pluggable Multi-Pole SPD

SLP40-XXX/3(S)

Class II • Type 2 • Type 1CA



Location of Use: Sub-Distribution Boards
 Network Systems: TN-C
 Mode of Protection: L-PEN
 Surge Ratings: $I_n = 20\text{ kA}$ (8/20 μs)
 IEC/EN/UL Category: Class II / Type 2 / Type 1CA
 Protective Elements: High Energy MOV
 Housing: Pluggable Design
 Compliance: IEC 61643-11:2011
 EN 61643-11:2012

Technical Data

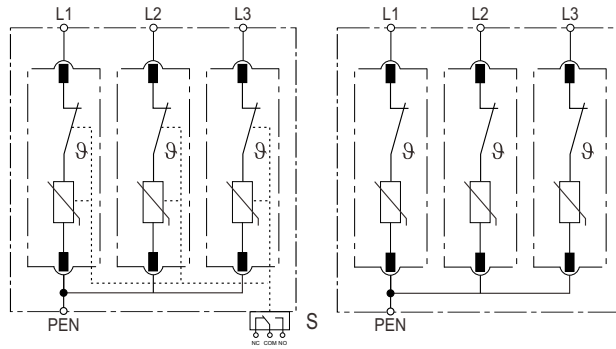
SLP40-XXX/3(S)		150	275	320	385	440
IEC Electrical						
Nominal AC Voltage (50/60Hz)	U_o/U_n	120 V	230 V	230 V	230 V	400 V
Maximum Continuous Operating Voltage (AC)	U_c	150 V	275 V	320 V	385 V	440 V
Nominal Discharge Current (8/20 μs)	I_n	20 kA	20 kA	20 kA	20 kA	20 kA
Maximum Discharge Current (8/20 μs)	I_{max}	40 kA	40 kA	40 kA	40 kA	40 kA
Voltage Protection Level	U_p	1000 V	1500 V	1600 V	1800 V	2000 V
Response Time	t_A			< 25 ns		
Back-Up Fuse (max)				125 A gL / gG		
Short-Circuit Current Rating (AC)	I_{SCCR}			25 kA / 50 kA		
TOV Withstand 5s	U_T	180V	335V	335V	335V	580V
TOV 120min	U_T	230V	440V	440V	440V	765V
	mode	Withstand	Safe Fail	Safe Fail	Safe Fail	Safe Fail
Number of Ports				1		
Mechanical & Environmental						
Operating Temperature Range	T_a	-40 °F to +158 °F [-40 °C to +70 °C]				
Permissible Operating Humidity	RH	5%...95%				
Atmospheric pressure and altitude		80k Pa ... 106k Pa / -500 m ... 2000 m				
Terminal Screw Torque	M_{max}	39.9 lbf-in [4.5Nm]				
Conductor Cross Section (max)		2 AWG (Solid, Stranded) / 4 AWG (Flexible) 35 mm ² (Solid, Stranded) / 25 mm ² (Flexible)				
Mounting		35 mm DIN Rail, EN 60715				
Degree of Protection		IP 20 (built-in)				
Housing Material		Thermoplastic: Extinguishing Degree UL 94 V-0				
Thermal Protection		Yes				
Operating State / Fault Indication		Green ok / Red defect				
Remote Contacts (RC)		Optional				
RC Switching Capacity		AC: 250V/0.5A; DC: 250V/0.1A; 125V/0.2A; 75V/0.5A				
RC Conductor Cross Section (max)		16 AWG (Solid) / 1.5 mm ² (Solid)				
Order Information						
Order Code		150	275	320	385	440
SLP40-XXX/3		4015031	4027531	4032031	4038531	4044031
SLP40-XXX/3S (with remote contacts)		4015032	4027532	4032032	4038532	4044032
SLP40-XXX/0 (spare modules)		4015001	4027501	4032001	4038501	4044001

SLP40-XXX/3(S)

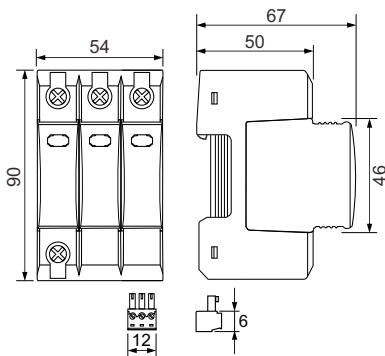
Internal Configuration

Legend

- L Line
- N Neutral
- PE Protective Earth
- S Signalling Contacts Optional



Dimensions & Packaging

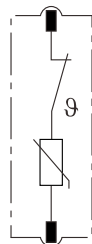


Dimensions & Packaging

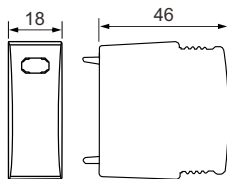
SLP40-XXX/3(S)	150	275	320	385	440
Single Unit DIN 43880 Dimension	1 CTN				
Packaging Dimensions (HxWxL)	[270 × 230 × 330 mm]				
Minimum Order Quantity	30 Units				

Plug Internal Configuration

SLP40-XXX/0



Dimensions & Packaging

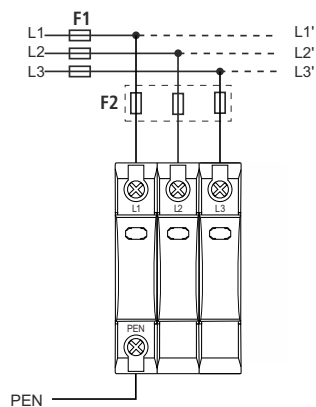


Dimensions & Packaging

SLP40-XXX/0	150	275	320	385	440
Single Unit DIN 43880 Dimension	1 CTN				
Packaging Dimensions (HxWxL)	[270 × 230 × 330 mm]				
Minimum Order Quantity	96 Units				

Connection Diagram

TN-C (Three-phase, 3+0)



Pluggable Multi-Pole SPD SLP40-XXX/4(S) Class II • Type 2 • Type 1CA



Location of Use: Sub-Distribution Boards
 Network Systems: TN-S
 Mode of Protection: L-PE, N-PE
 Surge Ratings: $I_n = 20\text{ kA (8/20 }\mu\text{s)}$
 IEC/EN/UL Category: Class II / Type 2 / Type 1CA
 Protective Elements: High Energy MOV
 Housing: Pluggable Design
 Compliance: IEC 61643-11:2011
 EN 61643-11:2012

Technical Data

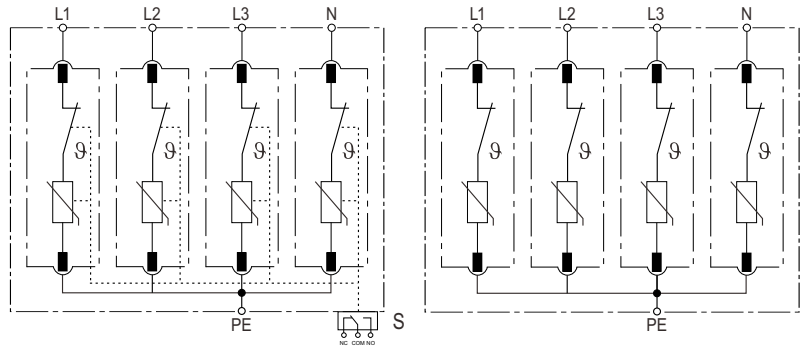
SLP40-XXX/4(S)		150	275	320	385	440
IEC Electrical						
Nominal AC Voltage (50/60Hz)	U_o/U_n	120 V	230 V	230 V	230 V	400 V
Maximum Continuous Operating Voltage (AC)	U_c	150 V	275 V	320 V	385 V	440 V
Nominal Discharge Current (8/20 μs)	I_n	20 kA	20 kA	20 kA	20 kA	20 kA
Maximum Discharge Current (8/20 μs)	I_{max}	40 kA	40 kA	40 kA	40 kA	40 kA
Voltage Protection Level	U_p	1000 V	1500 V	1600 V	1800 V	2000 V
Response Time	t_A			< 25 ns		
Back-Up Fuse (max)				125 A gL / gG		
Short-Circuit Current Rating (AC)	I_{SCCR}			25 kA / 50 kA		
TOV Withstand 5s	U_T	180V	335V	335V	335V	580V
TOV 120min	U_T	230V	440V	440V	440V	765V
	mode	Withstand	Safe Fail	Safe Fail	Safe Fail	Safe Fail
Number of Ports				1		
Mechanical & Environmental						
Operating Temperature Range	T_a	-40 °F to +158 °F [-40 °C to +70 °C]				
Permissible Operating Humidity	RH	5%...95%				
Atmospheric pressure and altitude		80k Pa ... 106k Pa / -500 m ... 2000 m				
Terminal Screw Torque	M_{max}	39.9 lbf-in [4.5 Nm]				
Conductor Cross Section (max)		2 AWG (Solid, Stranded) / 4 AWG (Flexible) 35 mm ² (Solid, Stranded) / 25 mm ² (Flexible)				
Mounting		35 mm DIN Rail, EN 60715				
Degree of Protection		IP 20 (built-in)				
Housing Material		Thermoplastic: Extinguishing Degree UL 94 V-0				
Thermal Protection		Yes				
Operating State / Fault Indication		Green ok / Red defect				
Remote Contacts (RC)		Optional				
RC Switching Capacity		AC: 250V/0.5A; DC: 250V/0.1A; 125V/0.2A; 75V/0.5A				
RC Conductor Cross Section (max)		16 AWG (Solid) / 1.5 mm ² (Solid)				
Order Information						
Order Code		150	275	320	385	440
SLP40-XXX/4		4015041	4027541	4032041	4038541	4044041
SLP40-XXX/4S (with remote contacts)		4015042	4027542	4032042	4038542	4044042
SLP40-XXX/0 (spare modules)		4015001	4027501	4032001	4038501	4044001

SLP40-XXX/4(S)

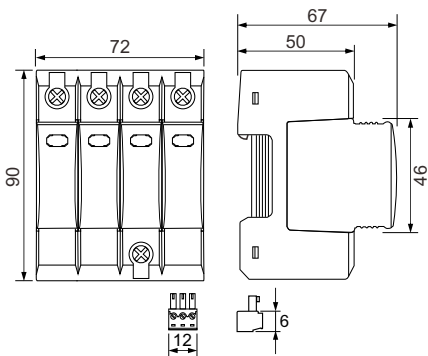
Internal Configuration

Legend

- L Line
- N Neutral
- PE Protective Earth
- S Signalling Contacts Optional



Dimensions & Packaging

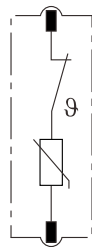


Dimensions & Packaging

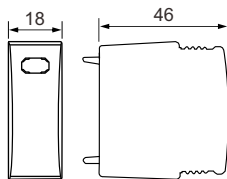
SLP40-XXX/4(S)	150	275	320	385	440
Single Unit DIN 43880 Dimension	1 CTN				
Packaging Dimensions (HxWxL)	[270 × 230 × 330 mm]				
Minimum Order Quantity	24 Units				

Plug Internal Configuration

SLP40-XXX/0



Dimensions & Packaging

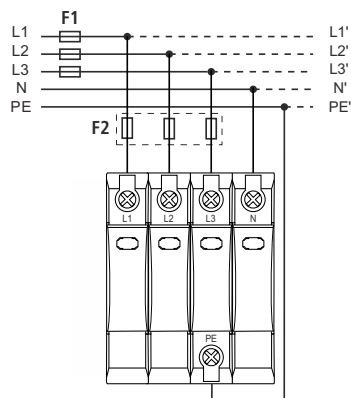


Dimensions & Packaging

SLP40-XXX/0	150	275	320	385	440
Single Unit DIN 43880 Dimension	1 CTN				
Packaging Dimensions (HxWxL)	[270 × 230 × 330 mm]				
Minimum Order Quantity	96 Units				

Connection Diagram

TN-S (Three-phase, 4+0)



Pluggable Multi-Pole SPD SLP40-XXX/1(S)+1 Class II • Type 2 • Type 1CA



Location of Use: Sub-Distribution Boards
 Network Systems: TT, TN-S
 Mode of Protection: L-N, N-PE
 Surge Ratings: $I_n = 20\text{ kA}$ (8/20 μs)
 IEC/EN/UL Category: Class II / Type 2 / Type 1CA
 Protective Elements: High Energy MOV and GDT
 Housing: Pluggable Design
 Compliance: IEC 61643-11:2011
 EN 61643-11:2012

Technical Data

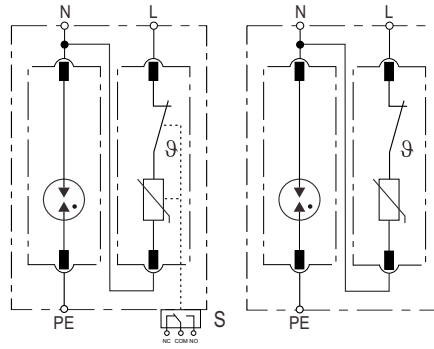
SLP40-XXX/1(S)+1	75	150	275	320	385	440	
IEC Electrical							
Nominal AC Voltage (50/60Hz)	60 V	120 V	230 V	230 V	230 V	400 V	
Maximum Continuous Operating Voltage	(L - N) U_c (N - PE) U_c	75 V	150 V	275 V	320 V	385 V	440 V
				255 V			
Nominal Discharge Current (8/20 μs)	(L - N) / (N - PE) I_n			20 kA / 20 kA			
Maximum Discharge Current (8/20 μs)	(L - N) / (N - PE) I_{max}			40 kA / 40 kA			
Voltage Protection Level	(L - N) / (N - PE) U_p	0.4kV / 1.5kV	1.0kV / 1.5kV	1.5kV / 1.5kV	1.6kV / 1.5kV	1.8kV / 1.5kV	2.0kV / 1.5kV
Follow Current Interrupt Rating	(N-PE) I_{fi}			100A _{RMS}			
Response Time	(L-N)/(N-PE) t_A			< 25 ns / < 100 ns			
Back-Up Fuse (max)				125 A gL / gG			
Short-Circuit Current Rating (AC)	(L - N) I_{SCCR}			25 kA / 50 kA			
TOV Withstand 5s	(L - N) U_T	90V	180V	335V	335V	335V	580V
TOV 120min	(L - N) U_T	115V	230V	440V	440V	440V	765V
	mode Withstand	Withstand	Safe Fail	Safe Fail	Safe Fail	Safe Fail	Safe Fail
TOV Withstand 200ms	(N-PE) U_T			1200V			
Number of Ports				1			
Mechanical & Environmental							
Operating Temperature Range	T_a	-40 °F to +158 °F [-40 °C to +70 °C]					
Permissible Operating Humidity	RH	5%...95%					
Atmospheric pressure and altitude		80k Pa ... 106k Pa / -500 m ... 2000 m					
Terminal Screw Torque	M_{max}	39.9 lbf-in [4.5 Nm]					
Conductor Cross Section (max)		2 AWG (Solid, Stranded) / 4 AWG (Flexible) 35 mm ² (Solid, Stranded) / 25 mm ² (Flexible)					
Mounting		35 mm DIN Rail, EN 60715					
Degree of Protection		IP 20 (built-in)					
Housing Material		Thermoplastic: Extinguishing Degree UL 94 V-0					
Thermal Protection		Yes					
Operating State / Fault Indication		Green ok / Red defect					
Remote Contacts (RC)		Optional					
RC Switching Capacity		AC: 250V/0.5A; DC: 250V/0.1A; 125V/0.2A; 75V/0.5A					
RC Conductor Cross Section (max)		16 AWG (Solid) / 1.5 mm ² (Solid)					
Order Information							
Order Code	75	150	275	320	385	440	
SLP40-XXX/1+1	4007513	4015013	4027513	4032013	4038513	4044013	
SLP40-XXX/1S+1 (with remote contacts)	4007514	4015014	4027514	4032014	4038514	4044014	
SLP40-XXX/0 (spare modules)	4007501	4015001	4027501	4032001	4038501	4044001	
SLP40-NPE/0 (spare modules)	4025501	4025501	4025501	4025501	4025501	4025501	

SLP40-XXX/1(S)+1

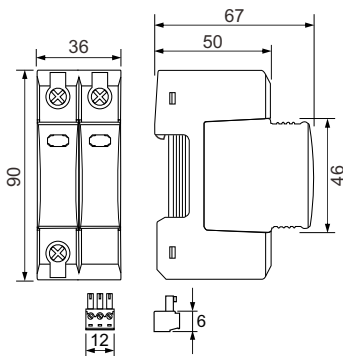
Internal Configuration

Legend

- L Line
- N Neutral
- PE Protective Earth
- S Signalling Contacts Optional



Dimensions & Packaging

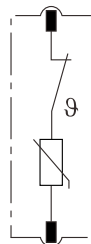


Dimensions & Packaging

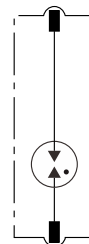
SLP40-XXX/1(S)+1	75	150	275	320	385	440
Single Unit DIN 43880 Dimension	1 CTN					
Packaging Dimensions (HxWxL)	[270 x 230 x 330 mm]					
Minimum Order Quantity	42 Units					

Plug Internal Configuration

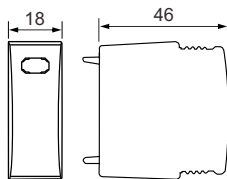
SLP40-XXX/0



SLP40-NPE/0



Dimensions & Packaging

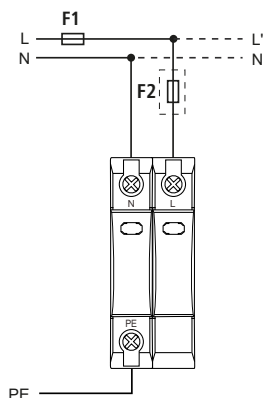


Dimensions & Packaging

SLP40-XXX/0	75	150	275	320	385	440
SLP40-NPE/0	40					
Single Unit DIN 43880 Dimension	1 CTN					
Packaging Dimensions (HxWxL)	[270 x 230 x 330 mm]					
Minimum Order Quantity	96 Units					

Connection Diagram

TN-S,TT (Single-phase, 1+1)



Pluggable Multi-Pole SPD SLP40-XXX/2(S)+1

Class II • Type 2 • Type 1CA



Location of Use: Sub-Distribution Boards
 Network Systems: TT, TN-S
 Mode of Protection: L-N, N-PE
 Surge Ratings: $I_n = 20\text{ kA (8/20 }\mu\text{s)}$
 IEC/EN/UL Category: Class II / Type 2 / Type 1CA
 Protective Elements: High Energy MOV and GDT
 Housing: Pluggable Design
 Compliance: IEC 61643-11:2011
 EN 61643-11:2012

Technical Data

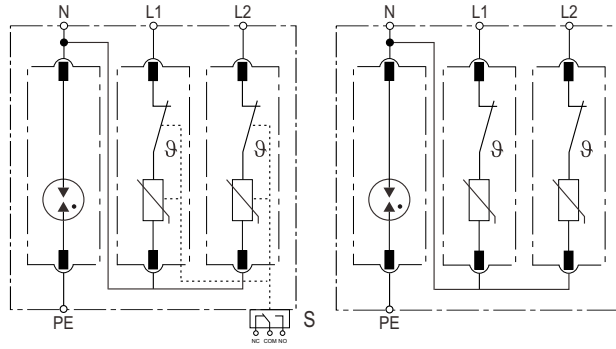
SLP40-XXX/2(S)+1	150	275	320	385	440	
IEC Electrical						
Nominal AC Voltage (50/60Hz)	120 V	230 V	230 V	230 V	400 V	
Maximum Continuous Operating Voltage	(L - N) U_c (N - PE) U_c	150 V	275 V	320 V	385 V	440 V
Nominal Discharge Current (8/20 μs)	(L - N) / (N - PE) I_n			20 kA / 20 kA		
Maximum Discharge Current (8/20 μs)	(L - N) / (N - PE) I_{max}			40 kA / 40 kA		
Voltage Protection Level	(L - N) / (N - PE) U_p	1.0kV / 1.5kV	1.5kV / 1.5kV	1.6kV / 1.5kV	1.8kV / 1.5kV	2.0kV / 1.5kV
Follow Current Interrupt Rating	(N-PE) I_{fi}			100A _{RMS}		
Response Time	(L-N)/(N-PE) t_A			< 25 ns / < 100 ns		
Back-Up Fuse (max)				125 A gL / gG		
Short-Circuit Current Rating (AC)	(L - N) I_{SCCR}			25 kA / 50 kA		
TOV Withstand 5s	(L - N) U_T	180V	335V	335V	335V	580V
TOV 120min	(L - N) U_T	230V	440V	440V	440V	765V
	mode Withstand		Safe Fail	Safe Fail	Safe Fail	Safe Fail
TOV Withstand 200ms	(N-PE) U_T			1200V		
Number of Ports				1		
Mechanical & Environmental						
Operating Temperature Range	T_a	-40 °F to +158 °F [-40 °C to +70 °C]				
Permissible Operating Humidity	RH	5%...95%				
Atmospheric pressure and altitude		80k Pa ... 106k Pa / -500 m ... 2000 m				
Terminal Screw Torque	M_{max}	39.9 lbf-in [4.5Nm]				
Conductor Cross Section (max)		2 AWG (Solid, Stranded) / 4 AWG (Flexible) 35 mm ² (Solid, Stranded) / 25 mm ² (Flexible)				
Mounting		35 mm DIN Rail, EN 60715				
Degree of Protection		IP 20 (built-in)				
Housing Material		Thermoplastic: Extinguishing Degree UL 94 V-0				
Thermal Protection		Yes				
Operating State / Fault Indication		Green ok / Red defect				
Remote Contacts (RC)		Optional				
RC Switching Capacity		AC: 250V/0.5 A; DC: 250V/0.1 A; 125V/0.2 A; 75V/0.5 A				
RC Conductor Cross Section (max)		16 AWG (Solid) / 1.5 mm ² (Solid)				
Order Information						
Order Code	150	275	320	385	440	
SLP40-XXX/2+1	4015023	4027523	4032023	4038523	4044023	
SLP40-XXX/2S+1 (with remote contacts)	4015024	4027524	4032024	4038524	4044024	
SLP40-XXX/0 (spare modules)	4015001	4027501	4032001	4038501	4044001	
SLP40-NPE/0 (spare modules)	4025501	4025501	4025501	4025501	4025501	

SLP40-XXX/2(S)+1

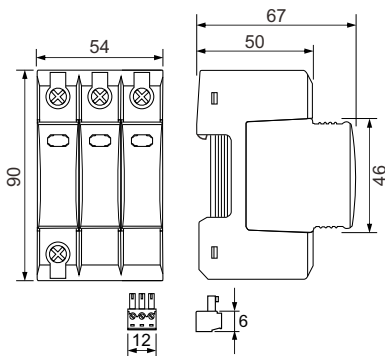
Internal Configuration

Legend

- L Line
- N Neutral
- PE Protective Earth
- S Signalling Contacts Optional



Dimensions & Packaging

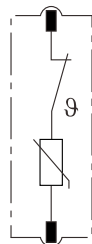


Dimensions & Packaging

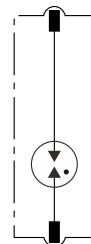
SLP40-XXX/2(S)+1	150	275	320	385	440
Single Unit DIN 43880 Dimension	1 CTN				
Packaging Dimensions (HxWxL)	[270 × 230 × 330 mm]				
Minimum Order Quantity	30 Units				

Plug Internal Configuration

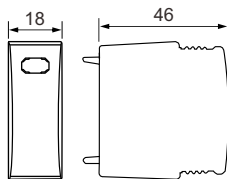
SLP40-XXX/0



SLP40-NPE/0



Dimensions & Packaging

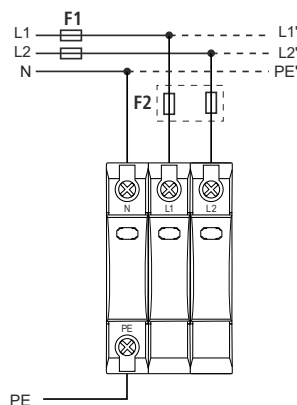


Dimensions & Packaging

SLP40-XXX/0	150	275	320	385	440
SLP40-NPE/0	40				
Single Unit DIN 43880 Dimension	1 CTN				
Packaging Dimensions (HxWxL)	[270 × 230 × 330 mm]				
Minimum Order Quantity	96 Units				

Connection Diagram

TN-S, TT (Three-phase, 2+1)



Pluggable Multi-Pole SPD SLP40-XXX/3(S)+1

Class II • Type 2 • Type 1CA



Location of Use: Sub-Distribution Boards
 Network Systems: TT, TN-S
 Mode of Protection: L-N, N-PE
 Surge Ratings: $I_n = 20\text{ kA}$ (8/20 μs)
 IEC/EN/UL Category: Class II / Type 2 / Type 1CA
 Protective Elements: High Energy MOV and GDT
 Housing: Pluggable Design
 Compliance: IEC 61643-11:2011
 EN 61643-11:2012

Technical Data

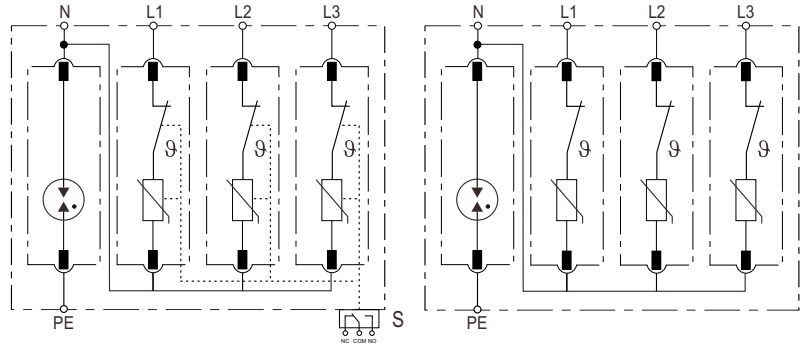
SLP40-XXX/3(S)+1	150	275	320	385	440
IEC Electrical					
Nominal AC Voltage (50/60Hz)	120 V	230 V	230 V	230 V	400 V
Maximum Continuous Operating Voltage	(L - N) U_c 150 V	275 V	320 V	385 V	440 V
	(N - PE) U_c		255 V		
Nominal Discharge Current (8/20 μs)	(L - N) / (N - PE) I_n		20 kA / 20 kA		
Maximum Discharge Current (8/20 μs)	(L - N) / (N - PE) I_{max}		40 kA / 40 kA		
Voltage Protection Level	(L - N) / (N - PE) U_p	1.0kV / 1.5kV	1.5kV / 1.5kV	1.6kV / 1.5kV	1.8kV / 1.5kV
Follow Current Interrupt Rating	(N-PE) I_{fi}		100A _{RMS}		
Response Time	(L-N)/(N-PE) t_A		< 25 ns / < 100 ns		
Back-Up Fuse (max)			125 A gL / gG		
Short-Circuit Current Rating (AC)	(L - N) I_{SCCR}		25 kA / 50 kA		
TOV Withstand 5s	(L - N) U_T	180V	335V	335V	335V
TOV 120min	(L - N) U_T	230V	440V	440V	440V
	mode Withstand		Safe Fail	Safe Fail	Safe Fail
TOV Withstand 200ms	(N-PE) U_T		1200V		
Number of Ports			1		
Mechanical & Environmental					
Operating Temperature Range	T_a	-40 °F to +158 °F [-40 °C to +70 °C]			
Permissible Operating Humidity	RH	5%...95%			
Atmospheric pressure and altitude		80k Pa ... 106k Pa / -500 m ... 2000 m			
Terminal Screw Torque	M_{max}	39.9 lbf-in [4.5Nm]			
Conductor Cross Section (max)		2 AWG (Solid, Stranded) / 4 AWG (Flexible)			
		35 mm ² (Solid, Stranded) / 25 mm ² (Flexible)			
Mounting		35 mm DIN Rail, EN 60715			
Degree of Protection		IP 20 (built-in)			
Housing Material		Thermoplastic: Extinguishing Degree UL 94 V-0			
Thermal Protection		Yes			
Operating State / Fault Indication		Green ok / Red defect			
Remote Contacts (RC)		Optional			
RC Switching Capacity		AC: 250V/0.5 A; DC: 250V/0.1 A; 125V/0.2 A; 75V/0.5 A			
RC Conductor Cross Section (max)		16 AWG (Solid) / 1.5 mm ² (Solid)			
Order Information					
Order Code	150	275	320	385	440
SLP40-XXX/3+1	4015033	4027533	4032033	4038533	4044033
SLP40-XXX/3S+1 (with remote contacts)	4015034	4027534	4032034	4038534	4044034
SLP40-XXX/0 (spare modules)	4015001	4027501	4032001	4038501	4044001
SLP40-NPE/0 (spare modules)	4025501	4025501	4025501	4025501	4025501

SLP40-XXX/3(S)+1

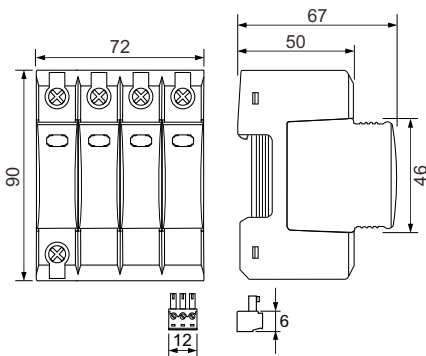
Internal Configuration

Legend

- L Line
- N Neutral
- PE Protective Earth
- S Signalling Contacts Optional



Dimensions & Packaging

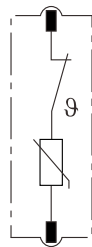


Dimensions & Packaging

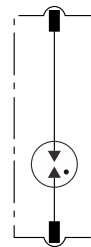
SLP40-XXX/3(S)+1	150	275	320	385	440
Single Unit DIN 43880 Dimension	1 CTN				
Packaging Dimensions (HxWxL)	[270 x 230 x 330 mm]				
Minimum Order Quantity	24 Units				

Plug Internal Configuration

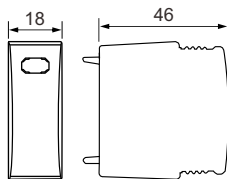
SLP40-XXX/0



SLP40-NPE/0



Dimensions & Packaging



Dimensions & Packaging

SLP40-XXX/0	150	275	320	385	440
SLP40-NPE/0	40				
Single Unit DIN 43880 Dimension	1 CTN				
Packaging Dimensions (HxWxL)	[270 x 230 x 330 mm]				
Minimum Order Quantity	96 Units				

Connection Diagram

TN-S, TT (Three-phase, 3+1)

