

Pluggable Multi-Pole SPD for DC Power Systems

SLP20-DCXXX/2(S)

Class II • Type 2



Location of Use: String box, Inverter
 Mode of Protection: (DC+) - PE, (DC-) - PE, (DC+) - (DC-)
 Surge Ratings: $I_n = 10\text{ kA}$ (8/20 μs)
 $I_{\text{Total}} = \text{up to } 20\text{ kA}$ (8/20 μs)
 IEC/EN/UL Category: Class II / Type 2
 Protective Elements: High Energy MOV
 Housing: Pluggable Design
 Compliance: IEC 61643-11:2011
 EN 61643-11:2012
 EN 50539-11:2013

Technical Data

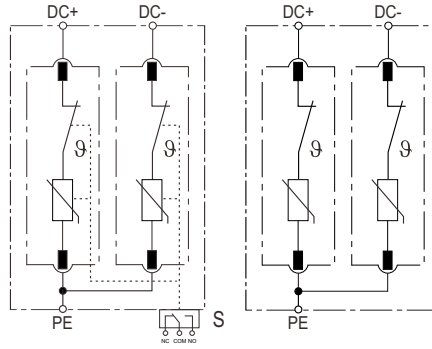
SLP20-DCXXX/2(S)	24	38	65		
IEC Electrical					
Rated Operational DC Voltage	U_o/U_n	12 V	24 V	48 V	
Maximum Continuous Operating DC Voltage	(DC+) - PE, (DC-) - PE	U_c	24 V	38 V	65 V
	(DC+) - (DC-)	U_c	48 V	76 V	130 V
Nominal Discharge Current (8/20 μs)	I_n	10 kA	10 kA	15 kA	
Total Discharge Current (8/20 μs)	I_{Total}		20 kA		
Max. System Voltage	u_{oc}	24 V	38 V	65 V	
Maximum Discharge Current (8/20 μs)	I_{max}		20 kA		
Voltage Protection Level	U_p	250 V	250 V	300 V	
Response Time	t_A		< 25 ns		
Number of Ports			1		
Mechanical & Environmental					
Operating Temperature Range	T_a	-40 °F to +158 °F [-40 °C to +70 °C]			
Permissible Operating Humidity	RH	5%...95%			
Atmospheric pressure and altitude		80k Pa ... 106k Pa / -500 m ... 2000 m			
Terminal Screw Torque	M_{max}	39.9 lbf-in [4.5 Nm]			
Conductor Cross Section (max)		2 AWG (Solid, Stranded) / 4 AWG (Flexible)			
		35 mm ² (Solid, Stranded) / 25 mm ² (Flexible)			
Mounting		35 mm DIN Rail, EN 60715			
Degree Of Protection		IP 20 (built-in)			
Housing Material		Thermoplastic: Extinguishing Degree UL 94 V-0			
Thermal Protection		Yes			
Operating State / Fault Indication		Green ok / Red defect			
Remote Contacts (RC)		Optional			
RC Switching Capacity		AC: 250V/0.5A; DC: 250V/0.1A; 125V/0.2A; 75V/0.5A			
RC Conductor Cross Section (max)		16 AWG (Solid) / 1.5 mm ² (Solid)			
Order Information					
Order Code	24	38	65		
SLP20 -DCXXX/2	2002421	2003821	2006521		
SLP20 -DCXXX/2S (with remote contacts)	2002422	2003822	2006522		
SLP20 -DCXXX/0 (spare modules)	2002402	2003802	2006502		

SLP20-DCXXX/2(S)

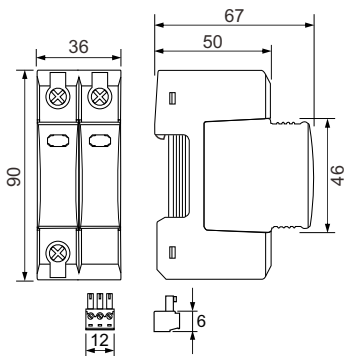
Internal Configuration

Legend

- PE Protective Earth
- S Signalling Contacts Optional



Dimensions & Packaging

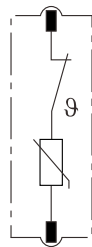


Dimensions & Packaging

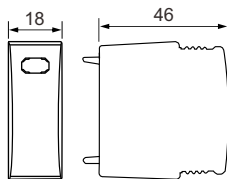
SLP20-DCXXX/2(S)	24	38	65
Single Unit DIN 43880 Dimension	1 CTN		
Packaging Dimensions (HxWxL)	[270 x 230 x 330 mm]		
Minimum Order Quantity	42 Units		

Plug Internal Configuration

SLP20-DCXXX/0



Dimensions & Packaging



Dimensions & Packaging

SLP20-DCXXX/0	24	38	65
Single Unit DIN 43880 Dimension	1 CTN		
Packaging Dimensions (HxWxL)	[270 x 230 x 330 mm]		
Minimum Order Quantity	96 Units		

Connection Diagram

