

# Pluggable Multi-Pole SPD for Photovoltaic Systems

## SLP-PVXXX-(S)

Class II • Type 2



Location of Use: String box, Inverter  
 Mode of Protection: (DC+) - PE, (DC-) - PE, (DC+) - (DC-)  
 Surge Ratings:  $I_n = 20 \text{ kA (8/20 } \mu\text{s)}$   
 $I_{\text{Total}} = \text{up to } 40 \text{ kA (8/20 } \mu\text{s)}$   
 IEC/EN/UL Category: Class II / Type 2  
 Protective Elements: High Energy MOV  
 Housing: Pluggable Design  
 Compliance: IEC 61643-31:2018  
 EN 50539-11:2013+A1:2014

### Technical Data

SLP-PVXXX-(S)	600	1000	1200	1500		
<b>IEC Electrical</b>						
Maximum Continuous Operating DC Voltage	(DC+) - PE, (DC-) - PE	$U_{\text{CPV}}$	600 V	1000 V	1200 V	1500 V
	(DC+) - (DC-)	$U_{\text{CPV}}$	-	1000 V	1200 V	1500 V
Nominal Discharge Current (8/20 $\mu\text{s}$ )		$I_n$		20 kA		
Total Discharge Current (8/20 $\mu\text{s}$ )		$I_{\text{Total}}$		40 kA		
Maximum Discharge Current (8/20 $\mu\text{s}$ )		$I_{\text{max}}$		40 kA		
Voltage Protection Level	(DC+) - PE, (DC-) - PE	$U_p$	2200 V	4000 V	4400 V	5200 V
	(DC+) - (DC-)	$U_p$	-	4000 V	4400 V	5200 V
Response Time		$t_A$		< 25 ns		
Short-Circuit Current Rating		$I_{\text{SCPV}}$		1000 A		
Number of Ports				1		
<b>Mechanical &amp; Environmental</b>						
Operating Temperature Range		$T_a$		-40 °F to +158 °F [-40 °C to +70 °C]		
Permissible Operating Humidity		RH		5%...95%		
Atmospheric pressure and altitude				80k Pa ... 106k Pa / -500 m ... 2000 m		
Terminal Screw Torque		$M_{\text{max}}$		39.9 lbf-in [4.5 Nm]		
Conductor Cross Section (max)				2 AWG (Solid, Stranded) / 4 AWG (Flexible) 35 mm <sup>2</sup> (Solid, Stranded) / 25 mm <sup>2</sup> (Flexible)		
Mounting				35 mm DIN Rail, EN 60715		
Degree Of Protection				IP 20 (built-in)		
Housing Material				Thermoplastic: Extinguishing Degree UL 94 V-0		
Thermal Protection				Yes		
Operating State / Fault Indication				Green ok / Red defect		
Remote Contacts (RC)				Optional		
RC Switching Capacity				AC: 250V/0.5 A; DC: 250V/0.1 A; 125V/0.2 A; 75V/0.5 A		
RC Conductor Cross Section (max)				16 AWG (Solid) / 1.5 mm <sup>2</sup> (Solid)		
<b>Order Information</b>						
Order Code	600	1000	1200	1500		
SLP-PVXXX	4060025	4010235	4012231	4015231		
SLP-PVXXX-(S) (with remote contacts)	4060026	4010236	4012232	4015232		
SLP-PVXXX/0 (spare modules)	4060002	4010202	4012202	4015202		

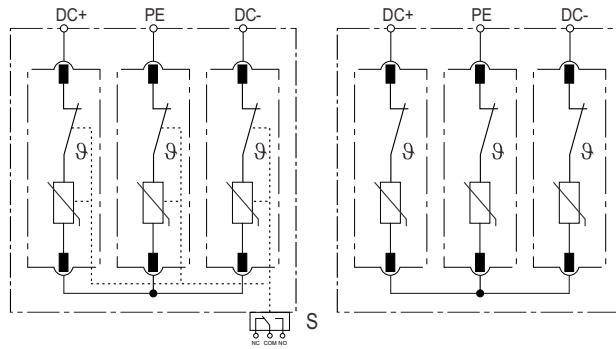
## SLP-PVXXX-(S)

### Internal Configuration

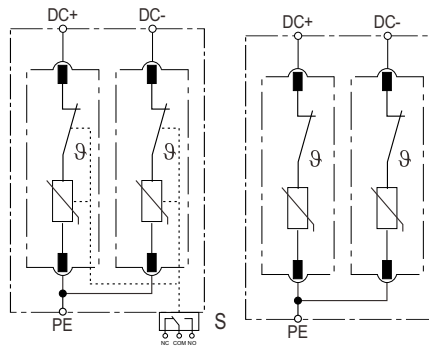
#### Legend

- PE Protective Earth
- S Signalling Contacts Optional

### SLP-PV1000-(S), SLP-PV1200-(S), SLP-PV1500-(S)



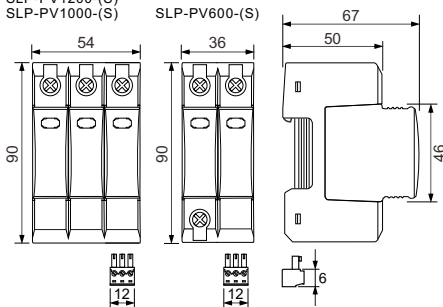
### SLP-PV600-(S)



### Dimensions & Packaging

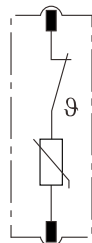
SLP-PV1500-(S)  
SLP-PV1200-(S)  
SLP-PV1000-(S)

SLP-PV600-(S)

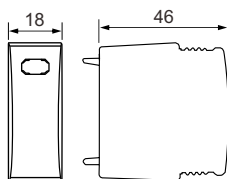


### Plug Internal Configuration

### SLP-PVXXX/0



### Dimensions & Packaging



Dimensions & Packaging				
SLP-PVXXX-(S)	600	1000	1200	1500
Single Unit DIN 43880 Dimension	1 CTN			
Packaging Dimensions (HxWxL)	[270 x 230 x 330 mm]			
Minimum Order Quantity	42 Units	30 Units	30 Units	30 Units

Dimensions & Packaging				
SLP-PVXXX/0	600	1000	1200	1500
Single Unit DIN 43880 Dimension	1 CTN			
Packaging Dimensions (HxWxL)	[270 x 230 x 330 mm]			
Minimum Order Quantity	96 Units			

