

TYPE 2 PV SURGE PROTECTOR FOR PCB MOUNTING

SLP20P-PVXXX

Class II • Type 2

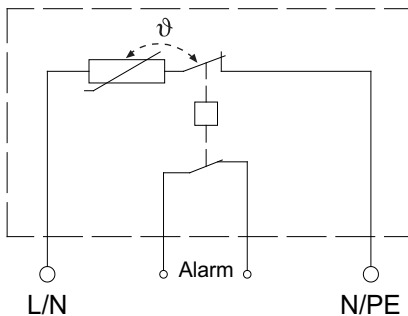


Location of Use: For PCB mounting
 Surge Ratings: $I_n = 10 \text{ kA (8/20 } \mu\text{s)}$
 IEC/EN Category: Class II / Type 2
 Protective Elements: High Energy MOV
 Compliance: IEC 61643-31:2018
 EN 61643-31:2019

Technical Data

SLP20P-PVXXX		75	300	500	600	750	900
IEC Electrical							
Max. PV Operating Voltage (DC)	U_{cpv}	75 V	300 V	500 V	600 V	750 V	900 V
Max. PV Operating Voltage (DC), [star mounting]	U_{cpv}	150 V	600 V	1000 V	1200 V	1500 V	1800 V
Continuous Operating Current	I_{cpv}	< 0.1 mA					
Nominal Discharge Current (8/20 μs)	I_n	10 kA					
Max. Discharge Current (8/20 μs)	I_{max}	20 kA					
Voltage Protection Level	U_p	0.5 kV	1.1 kV	1.8 kV	2.0 kV	2.6 kV	2.8 kV
Voltage Protection Level, [star mounting]	U_p	1.0 kV	2.2 kV	3.6 kV	4.0 kV	5.2 kV	5.6 kV
Response Time	t_A	< 25 ns					
Current withstand short circuit PV	I_{SCPV}	1000 A					
Mechanical & Environmental							
Operating Temperature Range	T_a	-40 °F to +158 °F [-40 °C to +70 °C]					
Permissible Operating Humidity	RH	5%...95%					
Atmospheric pressure and altitude		80k Pa ... 106k Pa / -500 m ... 2000 m					
Connection to Network		Through soldering pins					
Mounting		On Printed Circuit Board					
Degree of Protection		IP 20 (built-in)					
Housing Material		Thermoplastic: Extinguishing Degree UL 94 V-0					
Disconnection indicator		1 mechanical indicator by pole					
Operating State / Fault Indication		Green ok / Red defect					
Remote signaling of disconnection		Output on changeover contact					
Order Information							
Order Code		75	300	500	600	750	900
SLP20P-PVXXX		2007517	2030017	2050017	2060017	2075017	2090017

Internal Configuration



Dimensions

Units: (mm)

