

## Pluggable Single Pole & Multi-pole Surge Protective Devices (SPDs)

 SLP20 series



Compliance	SLP20
IEC 61643-11:2011	✓
EN 61643-11:2012	✓
UL 1449 4th Edition	

LSP's Type 2 + Type 3 (Class II +Class III) SPDs are developed as the main protection system for any low voltage electrical installation. This type of surge protection is installed at the electrical panel or switchboard, and prevents overvoltage current spread through the electrical system of an installation, in order to protect loads and safeguard downstream equipment. The Type 2 + Type 3 / Class II +Class III SPD have 8/20  $\mu$ s and 1.2/50  $\mu$ s current waveform.

# Pluggable Single-Pole SPD

## SLP20-XXX/1(S)

Class I I • Class III • Type 2 • Type 3



Location of Use: Sub-Distribution Boards  
 Network Systems: TN-S, TN-C, TT (only L-N)  
 Mode of Protection: L-PE, N-PE (only TN-S), L-PEN, L-N  
 Surge Ratings:  $I_n = 10 \text{ kA}$  (8/20  $\mu\text{s}$ )  
 IEC/EN/UL Category: Class II+III / Type 2+3  
 Protective Elements: High Energy MOV  
 Housing: Pluggable Design  
 Compliance: IEC 61643-11:2011  
 EN 61643-11:2012

### Technical Data

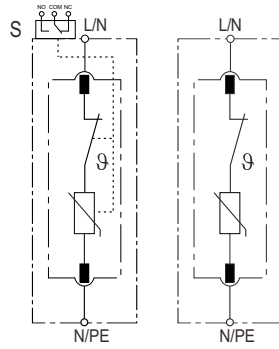
SLP20-XXX/1(S)		75	150	275	320	385	440
<b>IEC Electrical</b>							
Nominal AC Voltage (50/60Hz)	$U_o/U_n$	60 V	120 V	230 V	230 V	230 V	400 V
Maximum Continuous Operating Voltage (AC)	$U_c$	75 V	150 V	275 V	320 V	385 V	440 V
Nominal Discharge Current (8/20 $\mu\text{s}$ )	$I_n$	10 kA	10 kA	10 kA	10 kA	10 kA	10 kA
Maximum Discharge Current (8/20 $\mu\text{s}$ )	$I_{max}$	20 kA	20 kA	20 kA	20 kA	20 kA	20 kA
Open circuit voltage (1.2/50 $\mu\text{s}$ )	$U_{oc}$	20 kV					
Voltage Protection Level	$U_p$	300 V	600 V	1200 V	1400 V	1600 V	1800 V
Response Time	$t_A$	< 25 ns					
Back-Up Fuse (max)		125 A gL / gG					
Short-Circuit Current Rating (AC)	$I_{SCCR}$	10 kA					
TOV Withstand 5s	$U_T$	90V	180V	335V	335V	335V	580V
TOV 120min	$U_T$	115V	230V	440V	440V	440V	765V
	mode	Withstand	Withstand	Safe Fail	Safe Fail	Safe Fail	Safe Fail
Number of Ports		1					
<b>Mechanical &amp; Environmental</b>							
Operating Temperature Range	$T_a$	-40 °F to +158 °F [-40 °C to +70 °C]					
Permissible Operating Humidity	RH	5%...95%					
Atmospheric pressure and altitude		80k Pa ... 106k Pa / -500 m ... 2000 m					
Terminal Screw Torque	$M_{max}$	39.9 lbf-in [4.5Nm]					
Conductor Cross Section (max)		2 AWG (Solid, Stranded) / 4 AWG (Flexible) 35 mm <sup>2</sup> (Solid, Stranded) / 25 mm <sup>2</sup> (Flexible)					
Mounting		35 mm DIN Rail, EN 60715					
Degree of Protection		IP 20 (built-in)					
Housing Material		Thermoplastic: Extinguishing Degree UL 94 V-0					
Thermal Protection		Yes					
Operating State / Fault Indication		Green ok / Red defect					
Remote Contacts (RC)		Optional					
RC Switching Capacity		AC: 250V/0.5A; DC: 250V/0.1A; 125V/0.2A; 75V/0.5A					
RC Conductor Cross Section (max)		16 AWG (Solid) / 1.5 mm <sup>2</sup> (Solid)					
<b>Order Information</b>							
Order Code		75	150	275	320	385	440
SLP20-XXX/1		2007511	2015011	2027511	2032011	2038511	2044011
SLP20-XXX/1S (with remote contacts)		2007512	2015012	2027512	2032012	2038512	2044012
SLP20-XXX/0 (spare modules)		2007501	2015001	2027501	2032001	2038501	2044001

## SLP20-XXX/1(S)

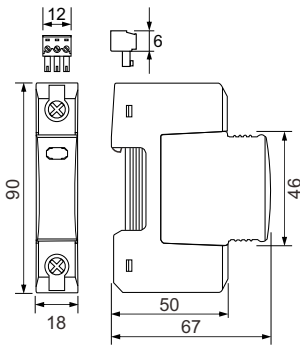
### Internal Configuration

#### Legend

- L Line
- N Neutral
- PE Protective Earth
- S Signalling Contacts Optional



### Dimensions & Packaging

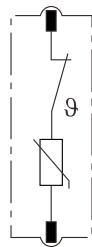


#### Dimensions & Packaging

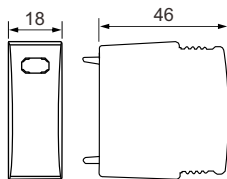
SLP20-XXX/1(S)	75	150	275	320	385	440
Single Unit DIN 43880 Dimension	1 CTN					
Packaging Dimensions (HxWxL)	[270 × 230 × 330 mm]					
Minimum Order Quantity	72 Units					

### Plug Internal Configuration

#### SLP20-XXX/0



### Dimensions & Packaging

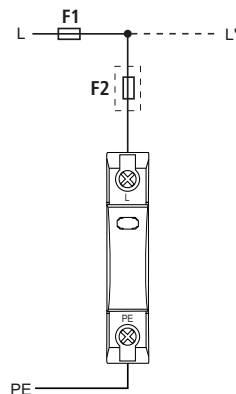


#### Dimensions & Packaging

SLP20-XXX/0	75	150	275	320	385	440
Single Unit DIN 43880 Dimension	1 CTN					
Packaging Dimensions (HxWxL)	[270 × 230 × 330 mm]					
Minimum Order Quantity	96 Units					

### Connection Diagram

#### TN-S, TN-C, TT (Single-phase, 1+0)



# Pluggable Multi-Pole SPD SLP20-XXX/2(S)

Class I • Class III • Type 2 • Type 3



Location of Use: Sub-Distribution Boards  
 Network Systems: TN-S  
 Mode of Protection: L-PE, N-PE  
 Surge Ratings:  $I_n = 10\text{ kA}$  (8/20  $\mu\text{s}$ )  
 IEC/EN/UL Category: Class II+III / Type 2+3  
 Protective Elements: High Energy MOV  
 Housing: Pluggable Design  
 Compliance: IEC 61643-11:2011  
 EN 61643-11:2012

## Technical Data

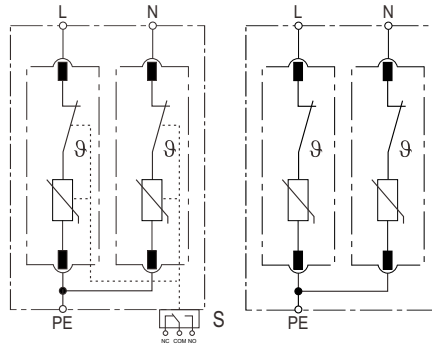
SLP20-XXX/2(S)		75	150	275	320	385	440
<b>IEC Electrical</b>							
Nominal AC Voltage (50/60Hz)	$U_o/U_n$	60 V	120 V	230 V	230 V	230 V	400 V
Maximum Continuous Operating Voltage (AC)	$U_c$	75 V	150 V	275 V	320 V	385 V	440 V
Nominal Discharge Current (8/20 $\mu\text{s}$ )	$I_n$	10 kA	10 kA	10 kA	10 kA	10 kA	10 kA
Maximum Discharge Current (8/20 $\mu\text{s}$ )	$I_{max}$	20 kA	20 kA	20 kA	20 kA	20 kA	20 kA
Open circuit voltage (1.2/50 $\mu\text{s}$ )	$U_{oc}$	20 kV					
Voltage Protection Level	$U_p$	300 V	600 V	1200 V	1400 V	1600 V	1800 V
Response Time	$t_A$	< 25 ns					
Back-Up Fuse (max)		125 A gL / gG					
Short-Circuit Current Rating (AC)	$I_{SCCR}$	10 kA					
TOV Withstand 5s	$U_T$	90V	180V	335V	335V	335V	580V
TOV 120min	$U_T$	115V	230V	440V	440V	440V	765V
	mode	Withstand	Withstand	Safe Fail	Safe Fail	Safe Fail	Safe Fail
Number of Ports		1					
<b>Mechanical &amp; Environmental</b>							
Operating Temperature Range	$T_a$	-40 °F to +158 °F [-40 °C to +70 °C]					
Permissible Operating Humidity	RH	5%...95%					
Atmospheric pressure and altitude		80k Pa ... 106k Pa / -500 m ... 2000 m					
Terminal Screw Torque	$M_{max}$	39.9 lbf-in [4.5 Nm]					
Conductor Cross Section (max)		2 AWG (Solid, Stranded) / 4 AWG (Flexible) 35 mm <sup>2</sup> (Solid, Stranded) / 25 mm <sup>2</sup> (Flexible)					
Mounting		35 mm DIN Rail, EN 60715					
Degree of Protection		IP 20 (built-in)					
Housing Material		Thermoplastic: Extinguishing Degree UL 94 V-0					
Thermal Protection		Yes					
Operating State / Fault Indication		Green ok / Red defect					
Remote Contacts (RC)		Optional					
RC Switching Capacity		AC: 250V/0.5A; DC: 250V/0.1A; 125V/0.2A; 75V/0.5A					
RC Conductor Cross Section (max)		16 AWG (Solid) / 1.5 mm <sup>2</sup> (Solid)					
<b>Order Information</b>							
Order Code		75	150	275	320	385	440
SLP20-XXX/2		2007521	2015021	2027521	2032021	2038521	2044021
SLP20-XXX/2S (with remote contacts)		2007522	2015022	2027522	2032022	2038522	2044022
SLP20-XXX/0 (spare modules)		2007501	2015001	2027501	2032001	2038501	2044001

## SLP20-XXX/2(S)

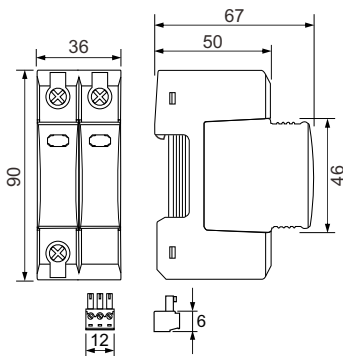
### Internal Configuration

#### Legend

- L Line
- N Neutral
- PE Protective Earth
- S Signalling Contacts Optional



### Dimensions & Packaging

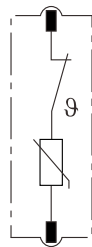


#### Dimensions & Packaging

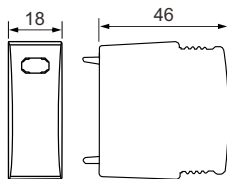
SLP20-XXX/2(S)	75	150	275	320	385	440
Single Unit DIN 43880 Dimension	1 CTN					
Packaging Dimensions (HxWxL)	[270 × 230 × 330 mm]					
Minimum Order Quantity	42 Units					

### Plug Internal Configuration

#### SLP20-XXX/0



### Dimensions & Packaging

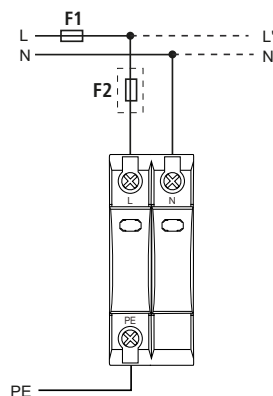


#### Dimensions & Packaging

SLP20-XXX/0	75	150	275	320	385	440
Single Unit DIN 43880 Dimension	1 CTN					
Packaging Dimensions (HxWxL)	[270 × 230 × 330 mm]					
Minimum Order Quantity	96 Units					

### Connection Diagram

#### TN-S (Single-phase, 2+0)



# Pluggable Multi-Pole SPD

## SLP20-XXX/3(S)

Class I I • Class III • Type 2 • Type 3



Location of Use: Sub-Distribution Boards  
 Network Systems: TN-C  
 Mode of Protection: L-PEN  
 Surge Ratings:  $I_n = 10 \text{ kA}$  (8/20  $\mu\text{s}$ )  
 IEC/EN/UL Category: Class II+III / Type 2+3  
 Protective Elements: High Energy MOV  
 Housing: Pluggable Design  
 Compliance: IEC 61643-11:2011  
 EN 61643-11:2012

### Technical Data

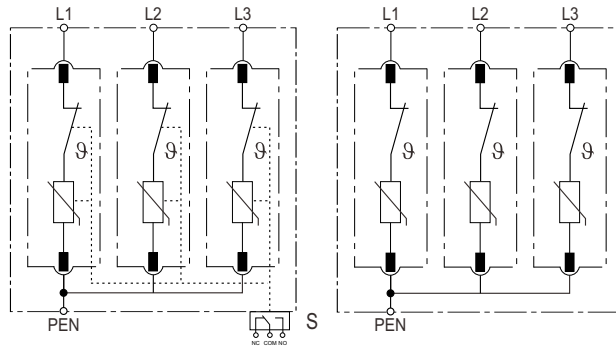
SLP20-XXX/3(S)		150	275	320	385	440
<b>IEC Electrical</b>						
Nominal AC Voltage (50/60Hz)	$U_o/U_n$	120 V	230 V	230 V	230 V	400 V
Maximum Continuous Operating Voltage (AC)	$U_c$	150 V	275 V	320 V	385 V	440 V
Nominal Discharge Current (8/20 $\mu\text{s}$ )	$I_n$	10 kA	10 kA	10 kA	10 kA	10 kA
Maximum Discharge Current (8/20 $\mu\text{s}$ )	$I_{max}$	20 kA	20 kA	20 kA	20 kA	20 kA
Open circuit voltage (1.2/50 $\mu\text{s}$ )	$U_{oc}$			20 kV		
Voltage Protection Level	$U_p$	600 V	1200 V	1400 V	1600 V	1800 V
Response Time	$t_A$			< 25 ns		
Back-Up Fuse (max)				125 A gL / gG		
Short-Circuit Current Rating (AC)	$I_{SCCR}$			10 kA		
TOV Withstand 5s	$U_T$	180V	335V	335V	335V	580V
TOV 120min	$U_T$	230V	440V	440V	440V	765V
	mode	Withstand	Safe Fail	Safe Fail	Safe Fail	Safe Fail
Number of Ports				1		
<b>Mechanical &amp; Environmental</b>						
Operating Temperature Range	$T_a$	-40 °F to +158 °F [-40 °C to +70 °C]				
Permissible Operating Humidity	RH	5%...95%				
Atmospheric pressure and altitude		80k Pa ... 106k Pa / -500 m ... 2000 m				
Terminal Screw Torque	$M_{max}$	39.9 lbf-in [4.5 Nm]				
Conductor Cross Section (max)		2 AWG (Solid, Stranded) / 4 AWG (Flexible) 35 mm <sup>2</sup> (Solid, Stranded) / 25 mm <sup>2</sup> (Flexible)				
Mounting		35 mm DIN Rail, EN 60715				
Degree of Protection		IP 20 (built-in)				
Housing Material		Thermoplastic: Extinguishing Degree UL 94 V-0				
Thermal Protection		Yes				
Operating State / Fault Indication		Green ok / Red defect				
Remote Contacts (RC)		Optional				
RC Switching Capacity		AC: 250V/0.5A; DC: 250V/0.1A; 125V/0.2A; 75V/0.5A				
RC Conductor Cross Section (max)		16 AWG (Solid) / 1.5 mm <sup>2</sup> (Solid)				
<b>Order Information</b>						
Order Code		150	275	320	385	440
SLP20-XXX/3		2015031	2027531	2032031	2038531	2044031
SLP20-XXX/3S (with remote contacts)		2015032	2027532	2032032	2038532	2044032
SLP20-XXX/0 (spare modules)		2015001	2027501	2032001	2038501	2044001

## SLP20-XXX/3(S)

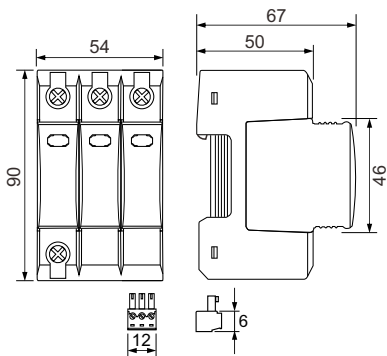
### Internal Configuration

#### Legend

- L Line
- N Neutral
- PE Protective Earth
- S Signalling Contacts Optional



### Dimensions & Packaging

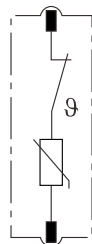


#### Dimensions & Packaging

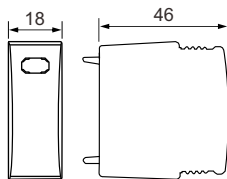
SLP20-XXX/3(S)	150	275	320	385	440
Single Unit DIN 43880 Dimension	1 CTN				
Packaging Dimensions (HxWxL)	[270 × 230 × 330 mm]				
Minimum Order Quantity	30 Units				

### Plug Internal Configuration

#### SLP20-XXX/0



### Dimensions & Packaging

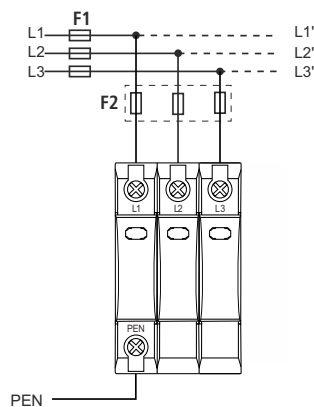


#### Dimensions & Packaging

SLP20-XXX/0	150	275	320	385	440
Single Unit DIN 43880 Dimension	1 CTN				
Packaging Dimensions (HxWxL)	[270 × 230 × 330 mm]				
Minimum Order Quantity	96 Units				

### Connection Diagram

#### TN-C (Three-phase, 3+0)





# Pluggable Multi-Pole SPD

## SLP20-XXX/4(S)

Class I • Class III • Type 2 • Type 3



Location of Use: Sub-Distribution Boards  
 Network Systems: TN-S  
 Mode of Protection: L-PE, N-PE  
 Surge Ratings:  $I_n = 10 \text{ kA}$  (8/20  $\mu\text{s}$ )  
 IEC/EN/UL Category: Class II+III / Type 2+3  
 Protective Elements: High Energy MOV  
 Housing: Pluggable Design  
 Compliance: IEC 61643-11:2011  
 EN 61643-11:2012

### Technical Data

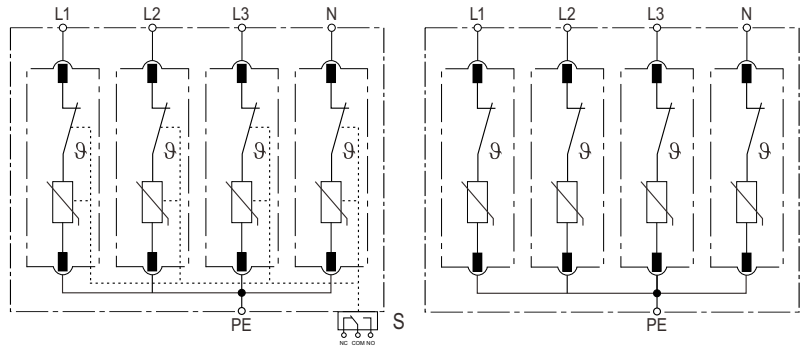
SLP20-XXX/4(S)		150	275	320	385	440
<b>IEC Electrical</b>						
Nominal AC Voltage (50/60Hz)	$U_o/U_n$	120 V	230 V	230 V	230 V	400 V
Maximum Continuous Operating Voltage (AC)	$U_c$	150 V	275 V	320 V	385 V	440 V
Nominal Discharge Current (8/20 $\mu\text{s}$ )	$I_n$	10 kA	10 kA	10 kA	10 kA	10 kA
Maximum Discharge Current (8/20 $\mu\text{s}$ )	$I_{max}$	20 kA	20 kA	20 kA	20 kA	20 kA
Open circuit voltage (1.2/50 $\mu\text{s}$ )	$U_{oc}$			20 kV		
Voltage Protection Level	$U_p$	600 V	1200 V	1400 V	1600 V	1800 V
Response Time	$t_A$			< 25 ns		
Back-Up Fuse (max)				125 A gL / gG		
Short-Circuit Current Rating (AC)	$I_{SCCR}$			10 kA		
TOV Withstand 5s	$U_T$	180V	335V	335V	335V	580V
TOV 120min	$U_T$	230V	440V	440V	440V	765V
	mode	Withstand	Safe Fail	Safe Fail	Safe Fail	Safe Fail
Number of Ports				1		
<b>Mechanical &amp; Environmental</b>						
Operating Temperature Range	$T_a$	-40 °F to +158 °F [-40 °C to +70 °C]				
Permissible Operating Humidity	RH	5%...95%				
Atmospheric pressure and altitude		80k Pa ... 106k Pa / -500 m ... 2000 m				
Terminal Screw Torque	$M_{max}$	39.9 lbf-in [4.5 Nm]				
Conductor Cross Section (max)		2 AWG (Solid, Stranded) / 4 AWG (Flexible) 35 mm <sup>2</sup> (Solid, Stranded) / 25 mm <sup>2</sup> (Flexible)				
Mounting		35 mm DIN Rail, EN 60715				
Degree of Protection		IP 20 (built-in)				
Housing Material		Thermoplastic: Extinguishing Degree UL 94 V-0				
Thermal Protection		Yes				
Operating State / Fault Indication		Green ok / Red defect				
Remote Contacts (RC)		Optional				
RC Switching Capacity		AC: 250V/0.5A; DC: 250V/0.1A; 125V/0.2A; 75V/0.5A				
RC Conductor Cross Section (max)		16 AWG (Solid) / 1.5 mm <sup>2</sup> (Solid)				
<b>Order Information</b>						
Order Code		150	275	320	385	440
SLP20-XXX/4		2015041	2027541	2032041	2038541	2044041
SLP20-XXX/4S (with remote contacts)		2015042	2027542	2032042	2038542	2044042
SLP20-XXX/0 (spare modules)		2015001	2027501	2032001	2038501	2044001

## SLP20-XXX/4(S)

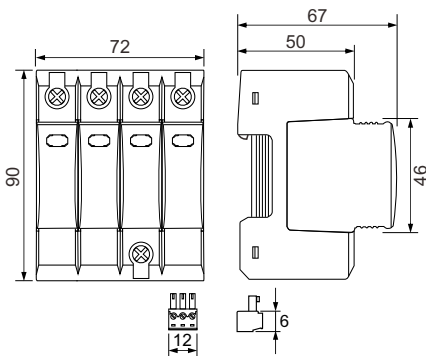
### Internal Configuration

#### Legend

- L Line
- N Neutral
- PE Protective Earth
- S Signalling Contacts Optional



### Dimensions & Packaging

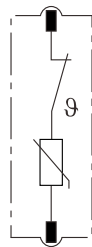


#### Dimensions & Packaging

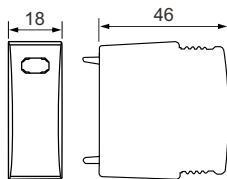
SLP20-XXX/4(S)	150	275	320	385	440
Single Unit DIN 43880 Dimension	1 CTN				
Packaging Dimensions (HxWxL)	[270 × 230 × 330 mm]				
Minimum Order Quantity	24 Units				

### Plug Internal Configuration

#### SLP20-XXX/0



### Dimensions & Packaging

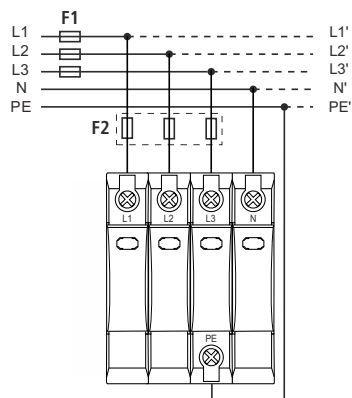


#### Dimensions & Packaging

SLP20-XXX/0	150	275	320	385	440
Single Unit DIN 43880 Dimension	1 CTN				
Packaging Dimensions (HxWxL)	[270 × 230 × 330 mm]				
Minimum Order Quantity	96 Units				

### Connection Diagram

#### TN-S (Three-phase, 4+0)



# Pluggable Multi-Pole SPD SLP20-XXX/1(S)+1

Class I I • Class III • Type 2 • Type 3



Location of Use: Sub-Distribution Boards  
 Network Systems: TT, TN-S  
 Mode of Protection: L-N, N-PE  
 Surge Ratings:  $I_n = 10\text{ kA (8/20 }\mu\text{s)}$   
 IEC/EN/UL Category: Class II+III / Type 2+3  
 Protective Elements: High Energy MOV and GDT  
 Housing: Pluggable Design  
 Compliance: IEC 61643-11:2011  
 EN 61643-11:2012

## Technical Data

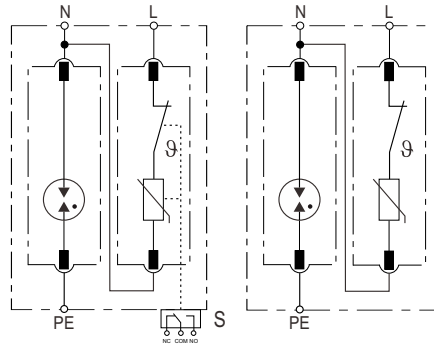
SLP20-XXX/1(S)+1	75	150	275	320		
<b>IEC Electrical</b>						
Nominal AC Voltage (50/60Hz)	60 V	120 V	230 V	230 V		
Maximum Continuous Operating Voltage	(L - N) $U_c$	75 V	150 V	275 V	320 V	
	(N - PE) $U_c$	255V	255 V	255 V	255 V	
Nominal Discharge Current (8/20 $\mu\text{s}$ )	(L - N) / (N - PE) $I_n$	10 kA / 10 kA				
Maximum Discharge Current (8/20 $\mu\text{s}$ )	(L - N) / (N - PE) $I_{max}$	20 kA / 20 kA				
Open circuit voltage (1.2/50 $\mu\text{s}$ )	$U_{oc}$	20 kV				
Voltage Protection Level	(L - N) / (N - PE) $U_p$	300V / 1000V	600 V / 1000V	1200V / 1000V	1400V / 1000V	
Follow Current Interrupt Rating	(N-PE) $I_{fi}$	100A <sub>RMS</sub>				
Response Time	(L - N)/(N - PE) $t_A$	< 25 ns / < 100 ns				
Back-Up Fuse (max)		125 A gL / gG				
Short-Circuit Current Rating (AC)	(L - N) $I_{SCCR}$	10 kA				
TOV Withstand 5s	(L - N) $U_T$	90V	180V	335V	335V	
TOV 120min	(L - N) $U_T$	mode	Withstand	Withstand	Safe Fail	Safe Fail
		mode	Withstand	Withstand	Safe Fail	Safe Fail
TOV Withstand 200ms	(N - PE) $U_T$	1200V				
Number of Ports		1				
<b>Mechanical &amp; Environmental</b>						
Operating Temperature Range	$T_a$	-40 °F to +158 °F [-40 °C to +70 °C]				
Permissible Operating Humidity	RH	5%...95%				
Atmospheric pressure and altitude		80k Pa ... 106k Pa / -500 m ... 2000 m				
Terminal Screw Torque	$M_{max}$	39.9 lbf-in [4.5Nm]				
Conductor Cross Section (max)		2 AWG (Solid, Stranded) / 4 AWG (Flexible)				
		35 mm <sup>2</sup> (Solid, Stranded) / 25 mm <sup>2</sup> (Flexible)				
Mounting		35 mm DIN Rail, EN 60715				
Degree of Protection		IP 20 (built-in)				
Housing Material		Thermoplastic: Extinguishing Degree UL 94 V-0				
Thermal Protection		Yes				
Operating State / Fault Indication		Green ok / Red defect				
Remote Contacts (RC)		Optional				
RC Switching Capacity		AC: 250V/0.5A; DC: 250V/0.1A; 125V/0.2A; 75V/0.5A				
RC Conductor Cross Section (max)		16 AWG (Solid) / 1.5 mm <sup>2</sup> (Solid)				
<b>Order Information</b>						
Order Code	75	150	275	320		
SLP20-XXX/1+1	2007513	2015013	2027513	2032013		
SLP20-XXX/1S+1 (with remote contacts)	2007514	2015014	2027514	2032014		
SLP20-XXX/0 (spare modules)	2007501	2015001	2027501	2032001		
SLP20-NPE/0 (spare modules)	2025501	2025501	2025501	2025501		

## SLP20-XXX/1(S)+1

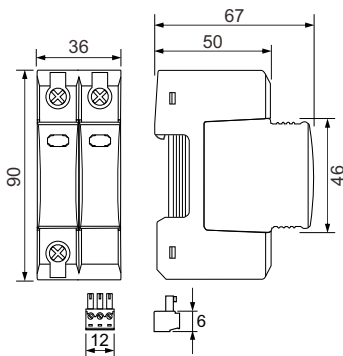
### Internal Configuration

#### Legend

- L Line
- N Neutral
- PE Protective Earth
- S Signalling Contacts Optional



### Dimensions & Packaging

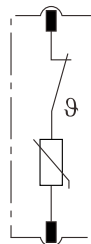


#### Dimensions & Packaging

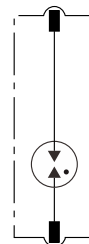
SLP20-XXX/1(S)+1	75	150	275	320
Single Unit DIN 43880 Dimension	1 CTN			
Packaging Dimensions (HxWxL)	[270 x 230 x 330 mm]			
Minimum Order Quantity	42 Units			

### Plug Internal Configuration

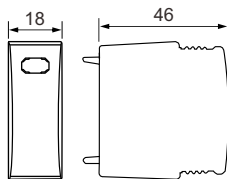
#### SLP20-XXX/0



#### SLP20-NPE/0



### Dimensions & Packaging

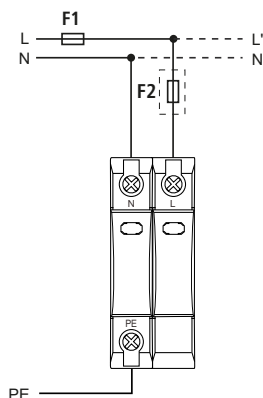


#### Dimensions & Packaging

SLP20-XXX/0	75	150	275	320
SLP20-NPE/0	40			
Single Unit DIN 43880 Dimension	1 CTN			
Packaging Dimensions (HxWxL)	[270 x 230 x 330 mm]			
Minimum Order Quantity	96 Units			

### Connection Diagram

#### TN-S,TT (Single-phase, 1+1)



# Pluggable Multi-Pole SPD SLP20-XXX/2(S)+1

Class I • Class III • Type 2 • Type 3



Location of Use: Sub-Distribution Boards  
 Network Systems: TT, TN-S  
 Mode of Protection: L-N, N-PE  
 Surge Ratings:  $I_n = 10\text{ kA (8/20 }\mu\text{s)}$   
 IEC/EN/UL Category: Class II+III / Type 2+3  
 Protective Elements: High Energy MOV and GDT  
 Housing: Pluggable Design  
 Compliance: IEC 61643-11:2011  
 EN 61643-11:2012

## Technical Data

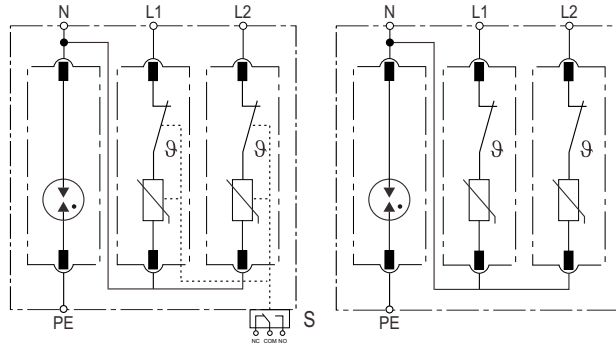
SLP20-XXX/2(S)+1	150	275	320	385	
<b>IEC Electrical</b>					
Nominal AC Voltage (50/60Hz)	120 V	230 V	230 V	230 V	
Maximum Continuous Operating Voltage	(L - N) $U_c$	150 V	275 V	320 V	385 V
	(N - PE) $U_c$	255 V	255 V	255 V	255 V
Nominal Discharge Current (8/20 $\mu\text{s}$ )	(L - N) / (N - PE) $I_n$	10 kA / 10 kA			
Maximum Discharge Current (8/20 $\mu\text{s}$ )	(L - N) / (N - PE) $I_{max}$	20 kA / 20 kA			
Open circuit voltage (1.2/50 $\mu\text{s}$ )	$U_{oc}$	20 kV			
Voltage Protection Level	(L - N) / (N - PE) $U_p$	600 V / 1000V	1200V / 1000V	1400V / 1000V	1600V / 1000V
Follow Current Interrupt Rating	(N-PE) $I_{fi}$	100A <sub>RMS</sub>			
Response Time	(L - N)/(N - PE) $t_A$	< 25 ns / < 100 ns			
Back-Up Fuse (max)		125 A gL / gG			
Short-Circuit Current Rating (AC)	(L - N) $I_{SCCR}$	10 kA			
TOV Withstand 5s	(L - N) $U_T$	180V	335V	335V	335V
TOV 120min	(L - N) $U_T$	mode	Withstand	Safe Fail	Safe Fail
		mode	Withstand	Safe Fail	Safe Fail
TOV Withstand 200ms	(N - PE) $U_T$	1200V			
Number of Ports		1			
<b>Mechanical &amp; Environmental</b>					
Operating Temperature Range	$T_a$	-40 °F to +158 °F [-40 °C to +70 °C]			
Permissible Operating Humidity	RH	5%...95%			
Atmospheric pressure and altitude		80k Pa ... 106k Pa / -500 m ... 2000 m			
Terminal Screw Torque	$M_{max}$	39.9 lbf-in [4.5Nm]			
Conductor Cross Section (max)		2 AWG (Solid, Stranded) / 4 AWG (Flexible)			
		35 mm <sup>2</sup> (Solid, Stranded) / 25 mm <sup>2</sup> (Flexible)			
Mounting		35 mm DIN Rail, EN 60715			
Degree of Protection		IP 20 (built-in)			
Housing Material		Thermoplastic: Extinguishing Degree UL 94 V-0			
Thermal Protection		Yes			
Operating State / Fault Indication		Green ok / Red defect			
Remote Contacts (RC)		Optional			
RC Switching Capacity		AC: 250V/0.5A; DC: 250V/0.1A; 125V/0.2A; 75V/0.5A			
RC Conductor Cross Section (max)		16 AWG (Solid) / 1.5 mm <sup>2</sup> (Solid)			
<b>Order Information</b>					
Order Code	150	275	320	385	
SLP20-XXX/2+1	2015023	2027523	2032023	2038523	
SLP20-XXX/2S+1 (with remote contacts)	2015024	2027524	2032024	2038524	
SLP20-XXX/0 (spare modules)	2015001	2027501	2032001	2038501	
SLP20-NPE/0 (spare modules)	2025501	2025501	2025501	2025501	

## SLP20-XXX/2(S)+1

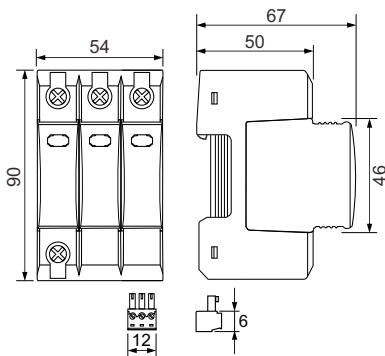
### Internal Configuration

#### Legend

- L Line
- N Neutral
- PE Protective Earth
- S Signalling Contacts Optional



### Dimensions & Packaging

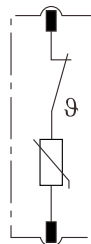


#### Dimensions & Packaging

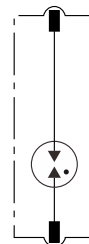
SLP20-XXX/2(S)+1	150	275	320	385
Single Unit DIN 43880 Dimension	1 CTN			
Packaging Dimensions (HxWxL)	[270 × 230 × 330 mm]			
Minimum Order Quantity	30 Units			

### Plug Internal Configuration

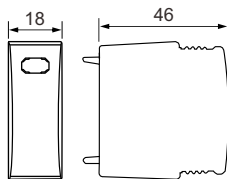
#### SLP20-XXX/0



#### SLP20-NPE/0



### Dimensions & Packaging

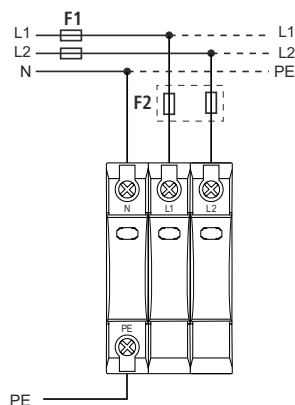


#### Dimensions & Packaging

SLP20-XXX/0	150	275	320	385
SLP20-NPE/0	40			
Single Unit DIN 43880 Dimension	1 CTN			
Packaging Dimensions (HxWxL)	[270 × 230 × 330 mm]			
Minimum Order Quantity	96 Units			

### Connection Diagram

#### TN-S, TT (Three-phase, 2+1)



# Pluggable Multi-Pole SPD SLP20-XXX/3(S)+1

Class I • Class III • Type 2 • Type 3



Location of Use: Sub-Distribution Boards  
 Network Systems: TT, TN-S  
 Mode of Protection: L-N, N-PE  
 Surge Ratings:  $I_n = 10\text{ kA (8/20 }\mu\text{s)}$   
 IEC/EN/UL Category: Class II+III / Type 2+3  
 Protective Elements: High Energy MOV and GDT  
 Housing: Pluggable Design  
 Compliance: IEC 61643-11:2011  
 EN 61643-11:2012

## Technical Data

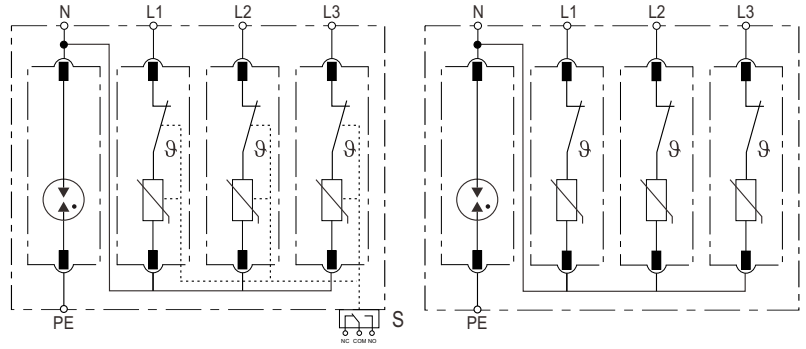
SLP20-XXX/3(S)+1	150	275	320	385	
<b>IEC Electrical</b>					
Nominal AC Voltage (50/60Hz)	120 V	230 V	230 V	230 V	
Maximum Continuous Operating Voltage	(L - N) $U_c$	150 V	275 V	320 V	385 V
	(N - PE) $U_c$	255 V	255 V	255 V	255 V
Nominal Discharge Current (8/20 $\mu\text{s}$ )	(L - N) / (N - PE) $I_n$	10 kA / 10 kA			
Maximum Discharge Current (8/20 $\mu\text{s}$ )	(L - N) / (N - PE) $I_{max}$	20 kA / 20 kA			
Open circuit voltage (1.2/50 $\mu\text{s}$ )	$U_{oc}$	20 kV			
Voltage Protection Level	(L - N) / (N - PE) $U_p$	600 V / 1000V	1200V / 1000V	1400V / 1000V	1600V / 1000V
Follow Current Interrupt Rating	(N-PE) $I_{fi}$	100A <sub>RMS</sub>			
Response Time	(L - N)/(N - PE) $t_A$	< 25 ns / < 100 ns			
Back-Up Fuse (max)		125 A gL / gG			
Short-Circuit Current Rating (AC)	(L - N) $I_{SCCR}$	10 kA			
TOV Withstand 5s	(L - N) $U_T$	180V	335V	335V	335V
TOV 120min	(L - N) $U_T$	mode	Withstand	Safe Fail	Safe Fail
		mode	Withstand	Safe Fail	Safe Fail
TOV Withstand 200ms	(N - PE) $U_T$	1200V			
Number of Ports		1			
<b>Mechanical &amp; Environmental</b>					
Operating Temperature Range	$T_a$	-40 °F to +158 °F [-40 °C to +70 °C]			
Permissible Operating Humidity	RH	5%...95%			
Atmospheric pressure and altitude		80k Pa ... 106k Pa / -500 m ... 2000 m			
Terminal Screw Torque	$M_{max}$	39.9 lbf-in [4.5Nm]			
Conductor Cross Section (max)		2 AWG (Solid, Stranded) / 4 AWG (Flexible)			
		35 mm <sup>2</sup> (Solid, Stranded) / 25 mm <sup>2</sup> (Flexible)			
Mounting		35 mm DIN Rail, EN 60715			
Degree of Protection		IP 20 (built-in)			
Housing Material		Thermoplastic: Extinguishing Degree UL 94 V-0			
Thermal Protection		Yes			
Operating State / Fault Indication		Green ok / Red defect			
Remote Contacts (RC)		Optional			
RC Switching Capacity		AC: 250V/0.5A; DC: 250V/0.1A; 125V/0.2A; 75V/0.5A			
RC Conductor Cross Section (max)		16 AWG (Solid) / 1.5 mm <sup>2</sup> (Solid)			
<b>Order Information</b>					
Order Code	150	275	320	385	
SLP20-XXX/3+1	2015033	2027533	2032033	2038533	
SLP20-XXX/3S+1 (with remote contacts)	2015034	2027534	2032034	2038534	
SLP20-XXX/0 (spare modules)	2015001	2027501	2032001	2038501	
SLP20-NPE/0 (spare modules)	2025501	2025501	2025501	2025501	

## SLP20-XXX/3(S)+1

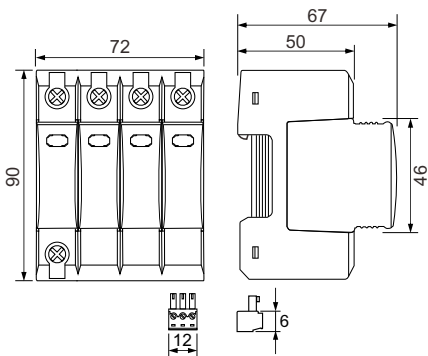
### Internal Configuration

#### Legend

- L Line
- N Neutral
- PE Protective Earth
- S Signalling Contacts Optional



### Dimensions & Packaging

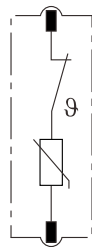


#### Dimensions & Packaging

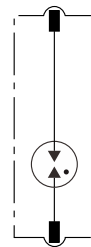
SLP20-XXX/3(S)+1	150	275	320	385
Single Unit DIN 43880 Dimension	1 CTN			
Packaging Dimensions (HxWxL)	[270 × 230 × 330 mm]			
Minimum Order Quantity	24 Units			

### Plug Internal Configuration

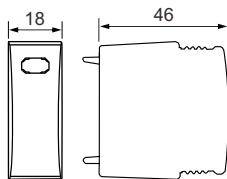
#### SLP20-XXX/0



#### SLP20-NPE/0



### Dimensions & Packaging



#### Dimensions & Packaging

SLP20-XXX/0	150	275	320	385
SLP20-NPE/0	40			
Single Unit DIN 43880 Dimension	1 CTN			
Packaging Dimensions (HxWxL)	[270 × 230 × 330 mm]			
Minimum Order Quantity	96 Units			

### Connection Diagram

#### TN-S, TT (Three-phase, 3+1)

