

# CE INSTALLATION INSTRUCTIONS



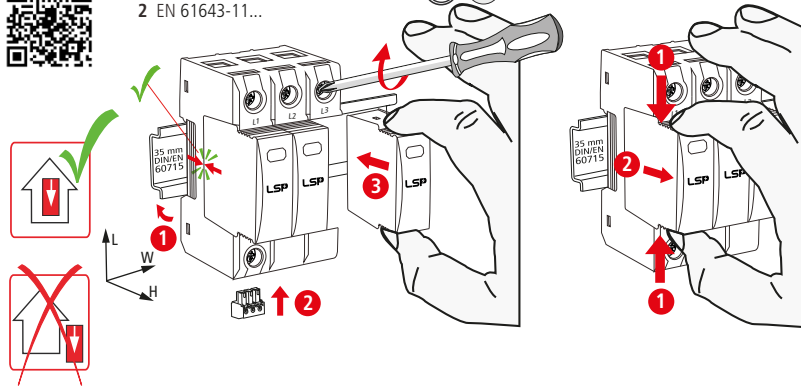
## LSP AC SPD SLP40 Series

- DE Einbauanleitung
- GB Installation instructions
- IT Istruzioni di montaggio
- FR Instructions de montage
- NL Montagehandleiding
- ES Instrucciones de montaje
- PT Instruções de montagem
- DK Monteringsvejledning
- SE Monteringsanvisning
- FI Asennusohje
- GR Οδηγίες συναρμολόγησης
- PL Instrukcja montażu
- CZ Návod k montáži
- TR Montaj kılavuzu
- RU Инструкция по монтажу
- CN 安装说明
- HU Szerelési útmutató
- JP 設置説明書



IEC 61643-11...  
2 EN 61643-11...

Pozidriv® Z2 4 Nm



## SLP40-xxx/4(S)

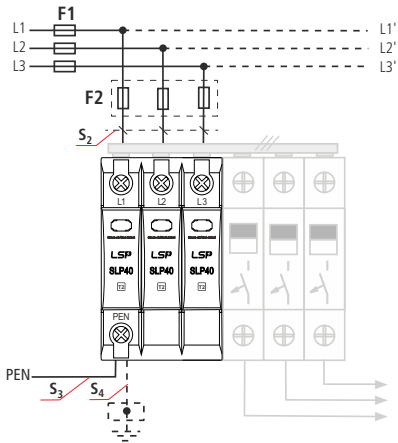
## SLP40-xxx/3(S)+1

## Technical parameters

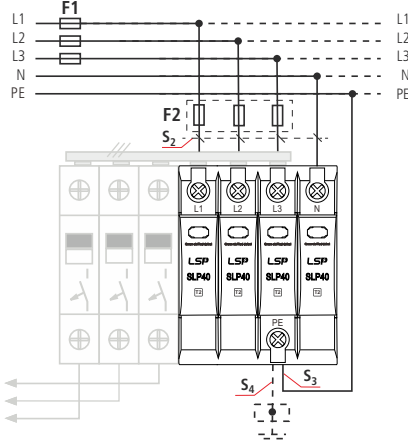
SLP40 Series	75	150	275	320	385	440	600
U <sub>N</sub>	60 V	120 V	230 V	230 V	230 V	400 V	480 V
U <sub>C</sub>	75 V~	150 V~	275 V~	320 V~	385 V~	440 V~	600 V~
f <sub>N</sub>	50 / 60 Hz						
max. I	125 A gG						100 A gG
I <sub>max</sub>	40 kA						
I <sub>SCCR</sub>	25 kA <sub>ms</sub>						
θ°	-40°C ... +70°C						
φ	5% ... 95%						
I <sub>PE</sub>	< 0,5 mA						
Ports	1						
IP 1)	20						
L x H x W	90 mm x 67 mm x (18, 36, 54, 72) mm						

min. □ L, N, PE(N), ↓	12 mm	12 mm	12 mm
max. □ L, N, PE(N), ↓	25 mm <sup>2</sup>	35 mm	35 mm
□ ⚠	16 mm <sup>2</sup> Cu	≥15.5 mm	≥15.5 mm

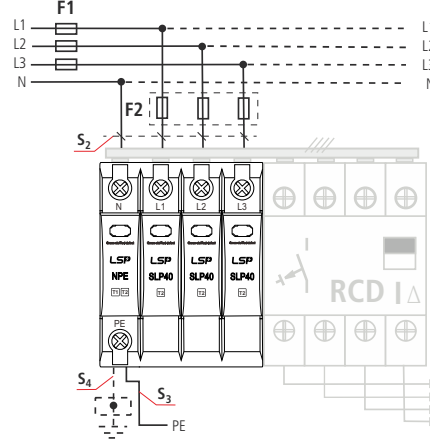
## TN-C SLP40-xxx/3(S) Three-phase



## TN (-C) -S SLP40-xxx/4(S) Three-phase



## TT SLP40-xxx/3(S)+1 Three-phase



## LSP AC SPD

SLP40 Series

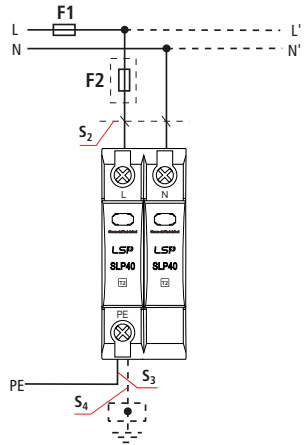
F1	F1 ≤ 125 A gG
F2	F1 > 125 A gG F2 ≤ 125 A gG

## LSP AC SPD

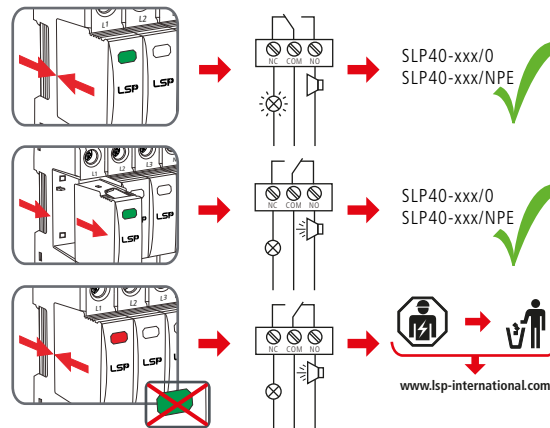
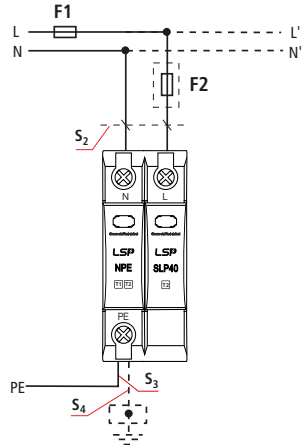
SLP40 Series

F1 A gG	S <sub>2</sub> / mm <sup>2</sup>	S <sub>3</sub> / mm <sup>2</sup>	S <sub>4</sub> / mm <sup>2</sup>	F2 A gG
25	4	6	6	---
35	4	6	6	---
40	4	6	6	---
50	6	6	6	---
63	10	10	10	---
80	10	10	10	---
100	16	16	16	---
125	16	16	16	---
> 125	16	16	16	125

## TN (-C) -S SLP40-xxx/2(S) Single-phase



## TT SLP40-xxx/1(S)+1 Single-phase



LSP AC SPD SLP40 Series Remote Signalling Contact	
	AC: 250 V / 0.5 A
	DC: 250 V / 0.1 A
	125 V / 0.2 A
75 V / 0.5 A	
max. 1.5 mm <sup>2</sup>	

